

THE TR-2 INVERSION VALVE IS AN AIR OPERATED CONTROL VALVE, UNLIKE OTHER VALVES, IS NORMALLY OPEN. IT IS CLOSED BY USING AIR PRESSURE FROM ANOTHER SOURCE. THESE VALVES ARE PRIMARILY USED IN EMERGENCY OR PARKING BRAKE SYSTEMS AND OPERATE WITH AIR FROM A RESERVOIR, ISOLATED BY A CHECK VALVE, FROM THE SERVICE BRAKE SYSTEM. THEY CAN ALSO BE USED FOR INTERLOCKING AND SEQUENCING APPLICATIONS, WHERE OPERATION OF COMPONENTS MUST TAKE PLACE IN A SPECIFIC SEQUENCE.

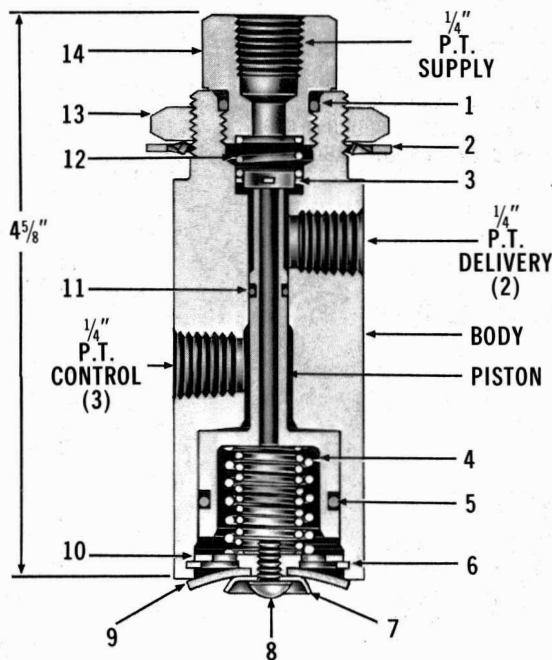
FOR SERVICE/MAINTENANCE, SEE SERVICE DATA SHEET SD-03-65.

MAINTENANCE KIT IS PC. NO. 281138.

WEIGHT-.9 lbs.

VMRS. NO.-13-010-047

DEVICE CODE-4650



SUB. ASSY. AND DETAIL REFERENCE

TR-2 INVERSION VALVE PC. NO.	FOR SERVICE OR REMFR. EXCH. PC. NO.	CUSTOMER IDENTIFICATION	BODY PC. NO.	PISTON PC. NO.
101125	101125	NONE	293132	293202
277340	277340	NONE	242077	242078
280092	277340	WHITE 987739	242077	242078
285546	277340	TEREX 3850364	242077	242078

COMMON SERVICE PARTS

NO.	PC. NO.	QUAN.	DESCRIPTION	NO.	PC. NO.	QUAN.	DESCRIPTION
1	A	1	SEALING RING	8	239714	1	MACH. SCREW & L.W.
2	230969	1	SHAKEPROOF LOCKWASHER	9	A	1	DIAPHRAGM
3	A	1	VALVE	10	242080	1	COVER PLATE
4	A	1	INVERSION VLV. SPRING KIT	11	A	1	GROMMET
5	A	1	GROMMET	12	A	1	VALVE SPRING
6	242081	1	RETAINING RING	13	231573	1	THIN NUT
7	239708	1	DIAPHRAGM WASHER	14	242083	1	CAP NUT

A - FURNISHED IN MAINTENANCE KIT PC. NO. 281138.