

# PP-7

# TRAILER SUPPLY VALVE

# BASIC VALVE

# CATALOG 03-L-4

The PP-7 push pull control valve is a pressure sensitive, manually operable, on-off control which will automatically return to the exhaust position when manual force is removed and supply air pressure is below the required minimum.

The PP-7 control valve is primarily used to control the tractor protection system. In addition, the PP-7 features an air operated override control in its lower body, which provides an application of the trailer brakes when the emergency tractor braking system is applied.

For installation and maintenance information, see Instruction and Service Data Sheet, SD-03-62.

WEIGHT - 1.1 LBS.

DEVICE CODE - 3617

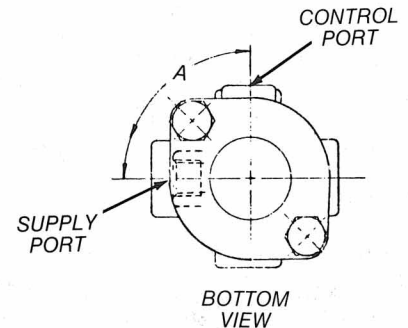
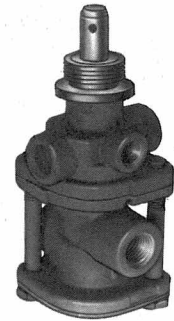
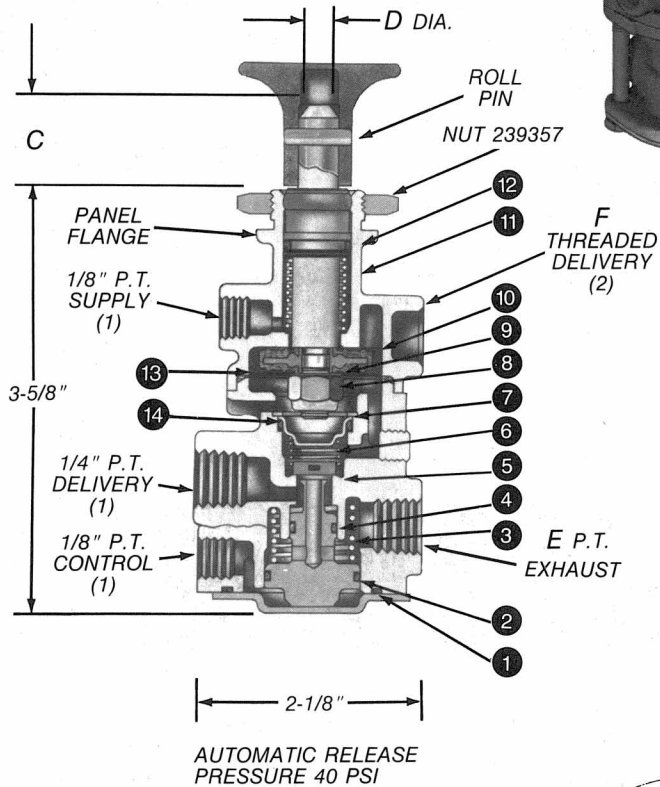
VMRS NO. - 13-010-016

- Available Remanufactured Exchange
- Button and Mtg. Nut not Furnished with Exchange Valve, Roll Pin Furnished

Parts List/General Information

PP-7 MAINTENANCE KIT 287367 CONSISTS OF:

NO.	DESCRIPTION	QUAN.
1	O-Ring	1
2	O-Ring	1
3	Spring	1
4	O-Ring	1
5	Inlet & Exhaust Valve	1
6	Inlet & Exhaust Valve Spring	1
7	Retaining Ring	1
8	ESNA Hex Nut	1
9	Washer	1
10	Inlet & Exhaust Valve	1
11	Plunger Return Spring	1
12	O-Ring	1
13	Sealing Ring	1
14	O-Ring	1



## Basic Valve

PIECE NO.	A SUPPLY PORT LOC'N.	C	D	E PIPE THD.	F THREADED DELIVERY	REMARKS
288239	90°	1-9/64	3/8	—	—	—
288240	90°	1-1/8	1/2	—	—	View 1
288241	90°	1-9/64	5/16	1/4-18	—	—
288242	270°	1-1/8	1/2	—	—	View 1
288644	270°	1-9/64	3/8	—	—	—
288721	90°	1-9/64	3/8	1/4-18	—	—
101479	90°	1-9/64	3/8	—	—	Index Notch in Panel Flange
102192	90°	1-9/64	5/16	1/4-18	1/8-27	—

