

THE TRAILER RELEASE VALVE IS A PILOT OPERATED, NON-GRADUATING, PNEUMATIC CONTROL VALVE. THESE VALVES ARE USED TO CONTROL AIR FROM A REMOTE SUPPLY WHICH IS DIFFERENT THAN CONTROL AIR SUPPLY. THEY HAVE DEFINITE OPENING AND CLOSING PRESSURES AND CAN BE USED TO DELAY OR SEQUENCE THE ACTION OF OTHER PNEUMATIC DEVICES.

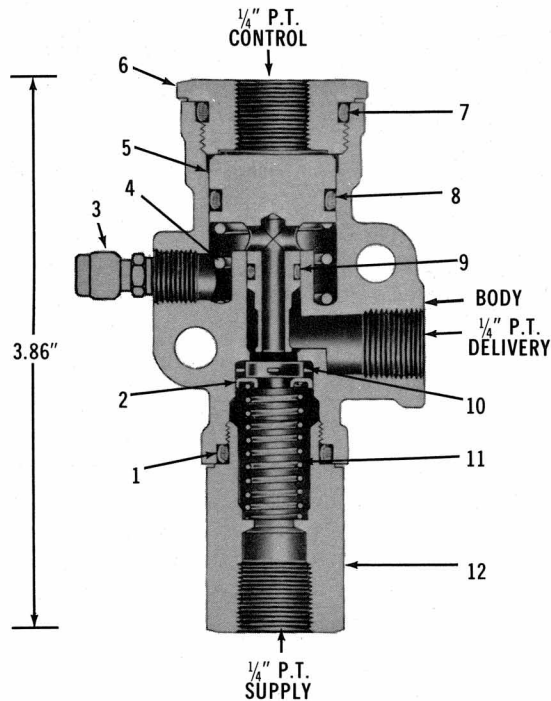
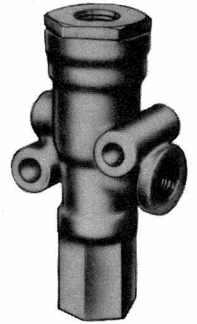
FOR SERVICE/MAINTENANCE INFORMATION, SEE SERVICE DATA SHEET SD-03-56.

WEIGHT - .7 LBS.

VMRS NO. 13-010-016

DEVICE CODE IS 4030

SV-3 NOT AVAILABLE REMFR. EXCH.



WITH COMMON CONTROL & SUPPLY
PRESSURE INLET OPENS AT 75 P.S.I.
EXHAUST OPENS AT 31 P.S.I.

SV-3 TRAILER RELEASE VALVE

PC. NO. 279824

NO.	PC. NO.	QUAN.	DESCRIPTION
1	214747	1	GROMMET, 13/16" O.D.
2	244546	1	SPRING GUIDE
3	222797	1	BREATHER VALVE
4	243642	1	PISTON SPRING
5	243648	1	PISTON
6	243644	1	CAP NUT
7	234045	1	GROMMET, 1 1/16" O.D.
8	235063	1	GROMMET, 7/8" O.D.
9	240542	1	GROMMET, 3/8" O.D.
10	249534	1	VALVE
11	244547	1	VALVE SPRING
12	244545	1	CAP NUT