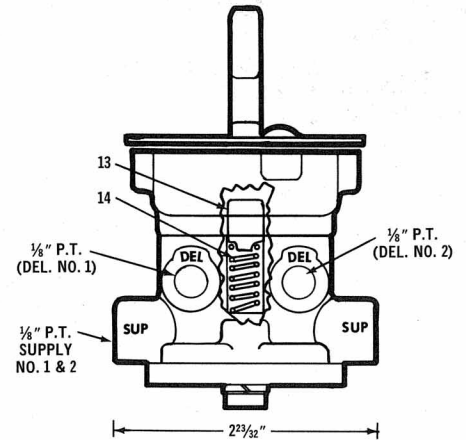
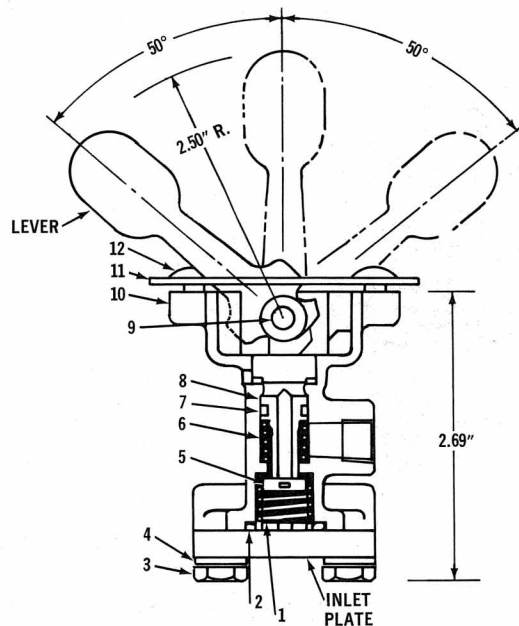


CONTROL VALVE TYPE PE-4

TW-2, TH-2, TH-3 and PE-4 Control Valves

This series of control valves is similar to the TW-1, TW-3 and TW-4 except that two control valves are housed in a single body. A single cammed control lever is used to control both of the internal valves and depending upon the camming, the valve will have one or the other of these designations. The TW-2 control valve has two lever positions. The TH-2 and 3 have three lever positions. The PE-4 also has three lever positions and a "Z" shift pattern to move the lever from the first position to the third position. All of these valves are primarily used to control parking and emergency brakes.



DIAL
245971

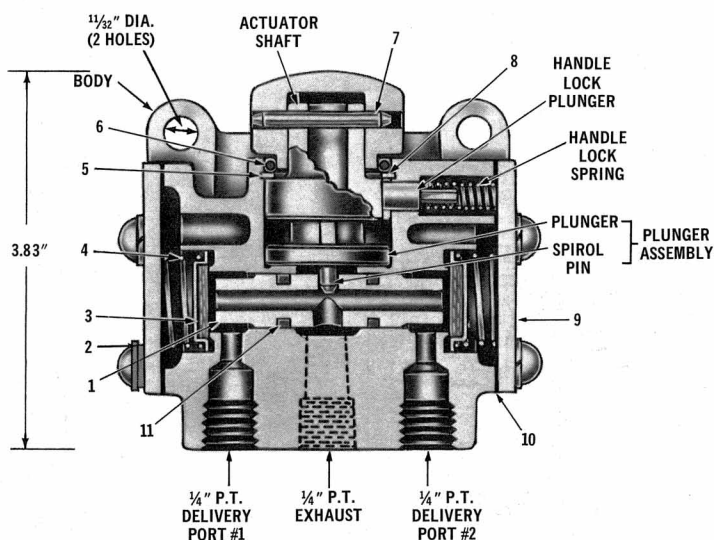
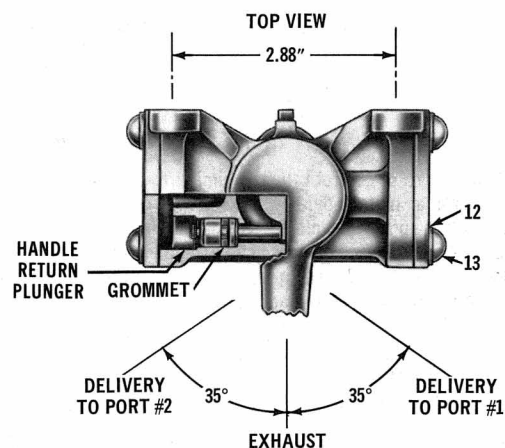
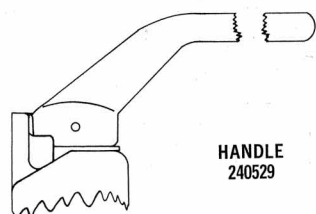
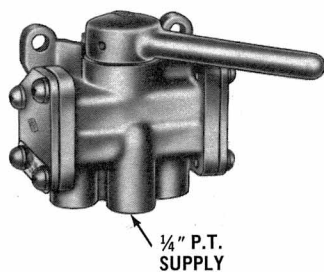
PE-4 CONTROL VALVE** PC. NO.	LEVER PC. NO.	PORT IDENTIFICATION	LEVER POSITION			INLET PLATE PC. NO.	PIPE PLUG PC. NO.
			RELEASE	EMERGENCY	PARK		
281620	245970	Valve NO. 1 (Del'y.) Valve NO. 2 (Del'y.)	Applied Applied	Exhaust Applied	Applied Exhaust	244631*	233410
282331	246590	Valve NO. 1 (Del'y.) Valve NO. 2 (Del'y.)	Exhaust Applied	Applied Applied	Exhaust Exhaust	245151	NONE
282558	246780	Valve NO. 1 (Del'y.) Valve NO. 2 (Del'y.)	Applied Applied	Exhaust Exhaust	Applied Exhaust	245151	NONE
285551	246780	Valve No. 1 (Del'y.) Valve No. 2 (Del'y.)	Applied Applied	Exhaust Exhaust	Applied Exhaust	245151	NONE

*Inlet Plate, 244631 Has One (1) Pipe Plug, 233410.

**NOTE: PE-4 Not Available In REMFR. Exch.

NO.	PC. NO.	QUAN.	DESCRIPTION	NO.	PC. NO.	QUAN.	DESCRIPTION
1	235729	2	Valve Spring	8	245969	2	Plunger
2	238831	1	Inlet Plate O-Ring	9	241547	1	Pin
3	203198	2	1/4"-20 Hex. Hd. Cap Screw	10	245968	1	Body
4	239383	2	Lockwasher 1/4"	11	245971	1	Dial
5	249534	2	Valve	12	237032	2	10-24 Ph. Tr. Hd. Mach. Screw
6	234833	2	Plunger Return Spring	13	244626	1	Lever Positioner
7	214749	2	Plunger O-Ring	14	244628	1	Spring

THREE WAY CONTROL VALVE
TYPE TH-2



THREE-WAY CONTROL VALVE* PC. NO.	BODY PC. NO.	PLUNGER ACTUATOR ASSEMBLY PC. NO.	PLUNGER ACTUATOR PC. NO.	ACTUATOR SHAFT PC. NO.	SPIROL PIN PC. NO.	HANDLE PC. NO.	HANDLE RETURN PLUNGER PC. NO.	HANDLE LOCK PLUNGER PC. NO.	HANDLE LOCK SPRING PC. NO.	GROMMET PC. NO.	SERVICE REPLACEMENT PC. NO.
A228015	238378	228836	239200	NONE	238379 238582	238388	238379	NONE	NONE	240542	228015
228129	238493	227988	238386	238385	238379	238388	NONE	233428	238498	NONE	228129
A228803	239199	228836	239200	NONE	238379 238382	238388	238379	NONE	NONE	240542	228803
A275390	238378	228836	239200	NONE	238379 238582	240529	238379	NONE	NONE	240542	275390
A285559	239199	228836	239200	NONE	238379 238582	238388	238379	NONE	NONE	240542	228803

A—Has Plunger Actuator O-Ring 239201.

*NOTE: TH-2 Not Available In REMFR. Exch.

NO.	PC. NO.	QUAN.	DESCRIPTION
1	238380	1	Plunger
2	202678	2	Plain Washer 1/4"
3	238382	2	Valve
4	238383	2	Inlet Valve Spring
5	238387	1	Retaining Ring
6	236649	1	Grommet, 1/4" O. D.
7	238562	1	Spirol Pin
8	238472	1	Washer
9	238500	2	Cover Plate
10	238384	2	Cover Plate Gasket
11	230470	2	Grommet, 9/16" O.D.
12	202981	8	Lock Washer
13	238501	8	Machine Screw