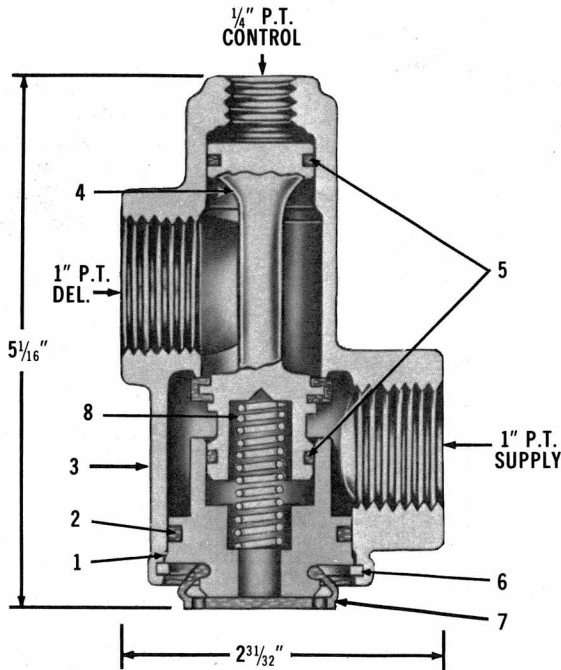
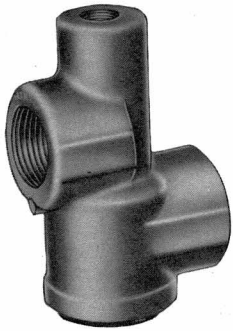


**AIR STARTER VALVES
TYPE AS-2**



MAINTENANCE KIT FOR AS-2 IS PC. NO. 284058.
WEIGHT - .7 LBS.
VMRS NO. 32-004-008
DEVICE CODE IS 9001

A.S. VALVES NOT AVAILABLE IN REMFR. EXCH.

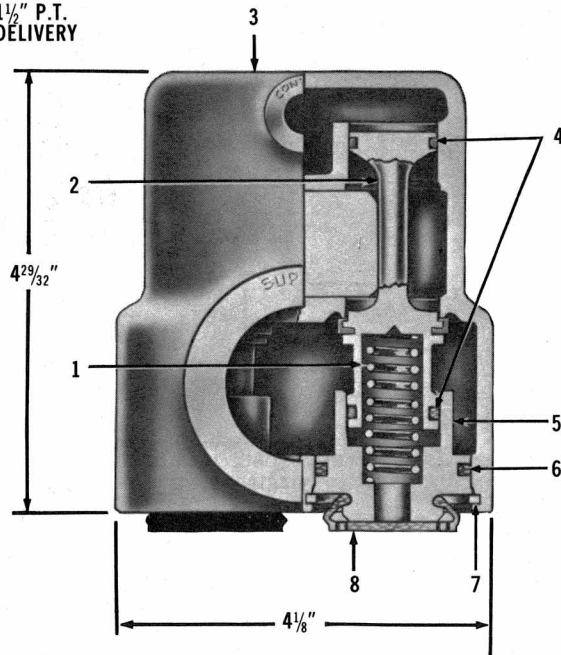
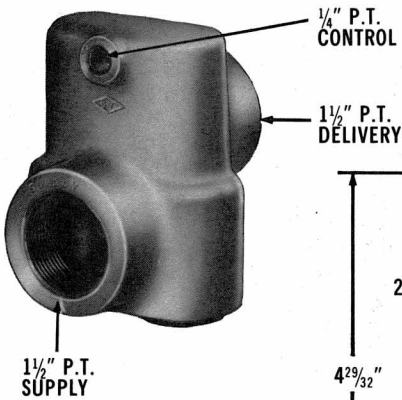
**AS-2 AIR STARTER UNIT
PC. NO. 229924**

NO.	PC. NO.	QTY.	DESCRIPTION
1	240057	1	VALVE GUIDE
2	A	1	GROMMET, 1 5/8" O.D.
3	240050	1	BODY
4	A	1	SUPPLY VALVE
5	A	2	GROMMET, 1 5/16" O.D.
6	A	1	RETAINING RING
7	A	1	BOOT
8	241499	1	SPRING

A - FURNISHED IN MAINTENANCE KIT 284058

SUPPLY & CONTROL PRESS. TO OPEN VALVE - 76 P.S.I.
SUPPLY & CONTROL PRESS. TO CLOSE VALVE - 16 P.S.I.

**AIR STARTER VALVE
TYPE AS-3**



MAINTENANCE KIT FOR AS-3
IS PC. NO. 284059
WEIGHT - 2.3 LBS.
VMRS NO. 32-004-008
DEVICE CODE IS 9001

A.S. VALVES NOT AVAILABLE IN REMFR. EXCH.

**AS-3 TWIN AIR STARTER VALVE
PC. NO. 275559**

NO.	PC. NO.	QTY.	DESCRIPTION
1	A	2	SPRING
2	A	2	SUPPLY VALVE
3	240726	1	BODY
4	A	4	GROMMET, 1 5/16" O.D.
5	240057	2	VALVE GUIDE
6	A	2	GROMMET, 1 5/8" O.D.
7	A	2	RETAINING RING
8	A	2	BOOT

A - FURNISHED IN MAINTENANCE KIT 284049

SUPPLY & CONTROL PRESS. TO OPEN VALVE - 80 P.S.I.
SUPPLY & CONTROL PRESS. TO CLOSE VALVE - 5 P.S.I.