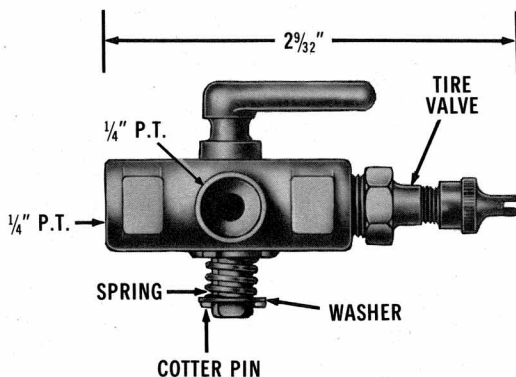


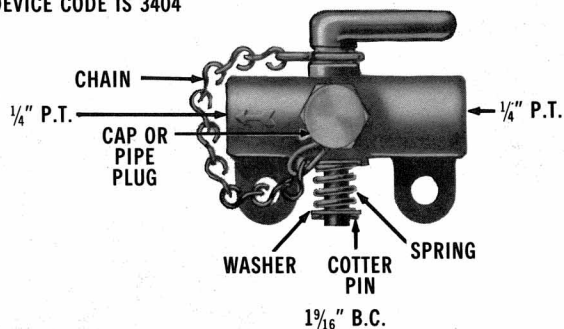
**AIR SUPPLY VALVES
TYPE C-2**

WEIGHT - .42 LBS.
VMRS NO. 98-004
DEVICE CODE IS 3404



C-2 AIR SUPPLY VALVE
PC. NO. 276305

WEIGHT - .5 LBS.
VMRS NO. 98-004
DEVICE CODE IS 3404



SUB ASSY. AND DETAIL REFERENCE

C-2 AIR SUPPLY VALVE PC. NO.	CAP PC. NO.	PIPE PLUG PC. NO.	CHAIN PC. NO.
221192	204266	NONE	NONE
221351	214913	NONE	221352
224296	NONE	233926	221352

C-2 VALVES NOT AVAILABLE IN REMFR. EXCH.

THE AIR STARTER VALVE IS A PILOT OPERATED CONTROL VALVE. IT IS GENERALLY REMOTE MOUNTED AND CONTROLLED VIA A MANUAL CONTROL VALVE LOCATED ON THE DASH PANEL. ALTHOUGH THE NAME GIVEN THESE VALVE IMPLIES THAT THEIR SOLE USE IS WITH VEHICLES EQUIPPED WITH AIR STARTERS, THEY ARE USED FOR MANY PURPOSES SUCH AS IN PLACE OF TRACTOR PROTECTION VALVES AND IN EMERGENCY BRAKE SYSTEMS.

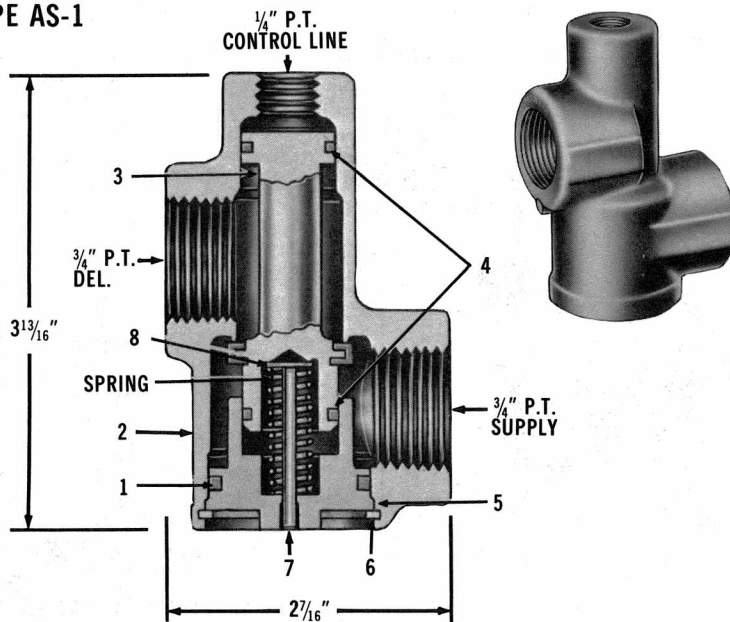
THE PRIMARY DIFFERENCE BETWEEN THE VALVES IS THE CAPACITY OF EACH AS INDICATED BY THE PORT SIZES: THE AS-1 HAS THE LEAST CAPACITY, THE AS-3 THE MOST.

MAINTENANCE KIT FOR THE AS-1 IS PC. NO. 284057.

WEIGHT - .7 LBS.
VMRS NO. IS 32-004-008
DEVICE CODE IS 3404

AS-1 VALVES NOT AVAILABLE REMFR. EXCH.

**AIR STARTER VALVE
TYPE AS-1**



SUB ASSY. AND DETAIL REFERENCE

AS-1 AIR STARTER VALVE PC. NO.	SPRING PC. NO.	SUPPLY & CONTR. PRESS. TO CLOSE VALVE (P.S.I.)	SUPPLY & CONTR. PRESS. TO OPEN VALVE (P.S.I.)
229542	239692	42	70
282849	247147	38	65

COMMON SERVICE PARTS			
NO.	PC. NO.	QUAN.	DESCRIPTION
1	A	1	GROMMET, 1.277" O.D.
2	239024	1	BODY
3	A	1	SUPPLY VALVE
4	A	2	GROMMET, .746" O.D.
5	239028	1	VALVE GUIDE
6	A	1	RETAINING RING
7	239162	1	VENT PIN
8	214610	(AS REQ'D)	SHIM

A - Furnished in Maintenance Kit 284057

AS-2 & AS-3 VALVES ON BACK

THIS CATALOG SUPERSEDES
CATALOG 03-A-13 PRINTED 6/76