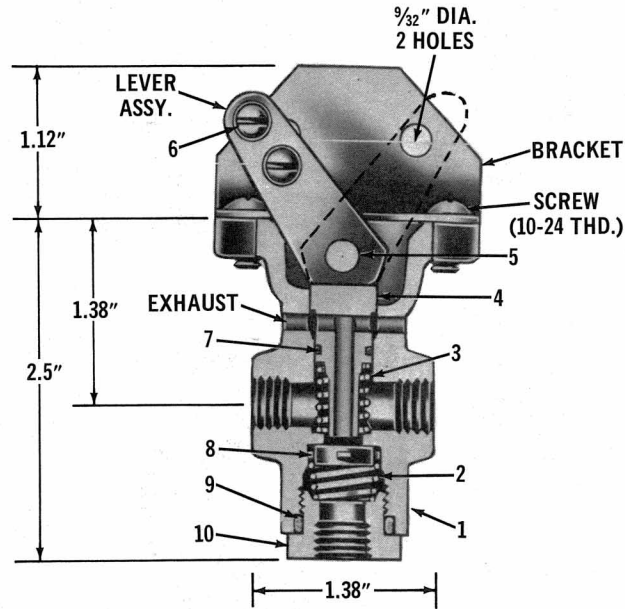
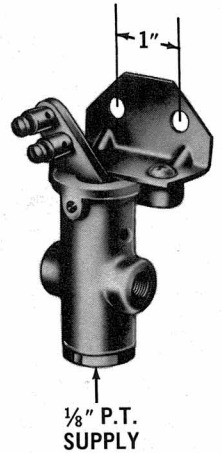


**CONTROL VALVE
TYPE TW-1
LEVER OPERATED**

The TW-1 Valves are manually operated, non-modulating controls used extensively in the air brake system. They can be button, lever or cam actuated. The TW-1 control valve is commonly used in conjunction with limiting and quick release and tractor protection.



TW-1 CONTROL VALVE—LEVER OPERATED* PC. NO.	LEVER ASSEMBLY PC. NO.	INITIAL LEVER POSITION	BRACKET PC. NO.	SCREW PC. NO.
229607	225175	As Shown	234922	237032
229608	225175	As Shown	NONE	NONE
229609	226588	As Shown	NONE	NONE
229610	227691	As Shown	NONE	NONE
229611	228612	As Shown	NONE	NONE
276532	276549	As Shown	NONE	NONE
280928	225175	As Shown	234922	237032
A281096	281097	Opposite	NONE	NONE
282848	247127	As Shown	NONE	NONE

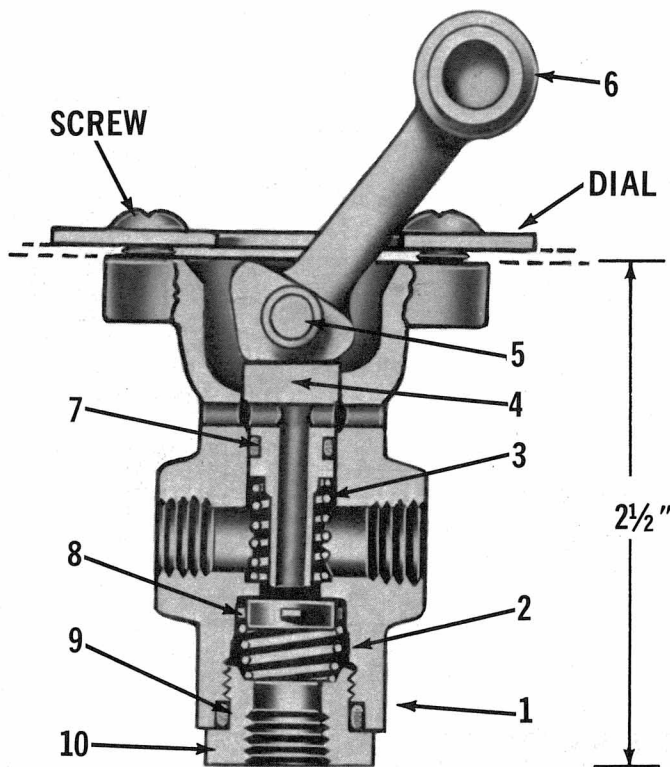
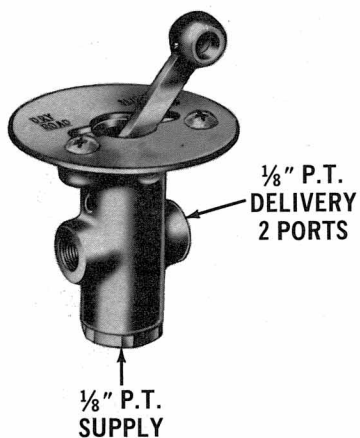
A—Has Cap Nut, 245468 In Place Of 234840.
Cap Nut, 245468 Has 1/4" MALE PIPE THD.

*—Use These O. E. Pc. No's. For REMFR. Exch.

REFERENCE DETAILS

NO.	PC. NO.	QUAN.	DESCRIPTION
1	239092	1	Body
2	235729	1	Valve Spring
3	234833	1	Plunger Return Spring
4	239093	1	Plunger
5	245815	1	Pin
6	210245	1 or 2	Screw
7	214749	1	Grommet, .441" O. D.
8	249534	1	Valve
9	236728	1	Sealing Ring, .755" O. D.
10	234840	1	Cap Nut (1/8" Hex)

CONTROL VALVE
TYPE TW-1
DASH MOUNTED



DIAL
234841



DIAL
236424

TW-1 CONTROL VALVE O. E. PC. NO.	FOR SERV. OR REMFR. EXCH. USE PC. NO.	REFERENCE DETAILS	
		DIAL PC. NO.	SCREW (2) PC. NO.
229604	281563	234841	237032
229605	281563	236424	237032
281563	281563	NONE	NONE

NO.	PC. NO.	QUAN.	DESCRIPTION
1	239092	1	Body
2	235729	1	Valve Spring
3	234833	1	Plunger Return Spring
4	239093	1	Plunger
5	245815	1	Pin
6	234835	1	Lever
7	214749	1	Grommet, .441" O. D.
8	239750	1	Valve
9	236728	1	Sealing Ring, .755" O. D.
10	234840	1	Cap Nut