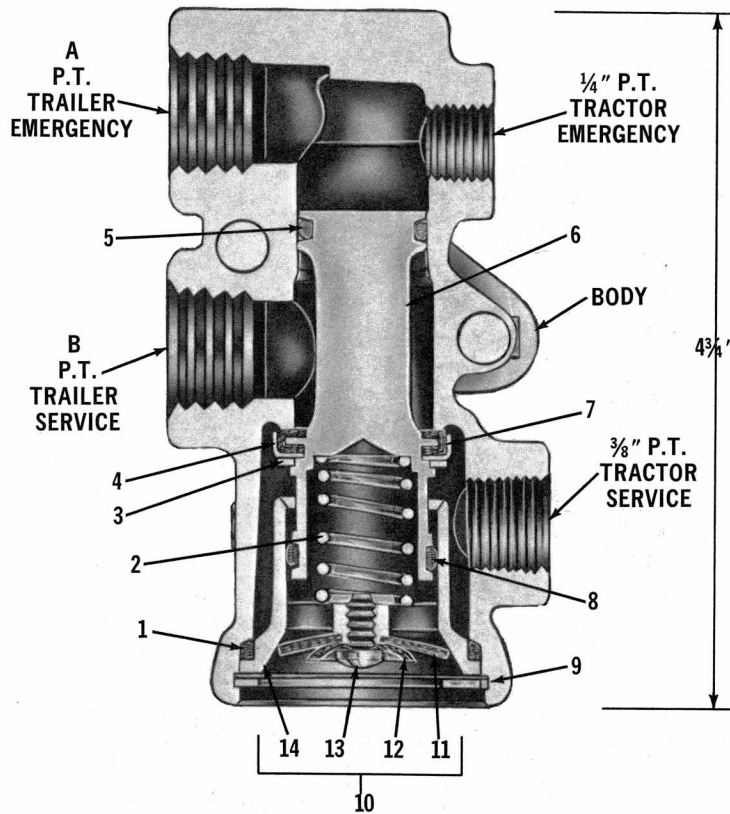
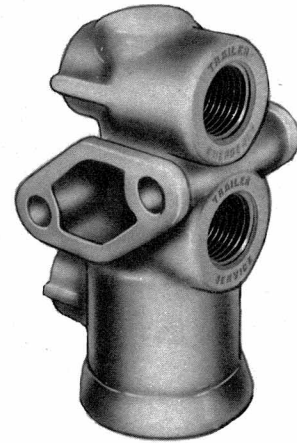


The tractor protection valve is generally found mounted on the rear of the tractor cab. Used in conjunction with a dash mounted control valve, it provides a means of opening and closing the two air hoses (Service & Emergency) leading to the trailer. The tractor protection valve also serves an important safety related function by automatically closing in the event of a tractor trailer breakaway or reduction of tractor system air pressure. For installation and maintenance information, see Instruction & Service Data Sheet, SD-43.



MAINTENANCE KIT
FOR TP-3 IS
PC. NO. 280858.

TP-3 TRACTOR PROTECTION VALVE O. E. PC. NO.	FOR SERV. OR REMFR. EXCH. USE PC. NO.	REFERENCE DETAILS		
		BODY PC. NO.	A PIPE THD.	B PIPE THD.
279000	279000	243850	1/2	1/2
279692	279692	244382	3/8	3/8
280830	279000	243850	1/2	1/2
280932	279000	243850	1/2	1/2
288055	279000	243850	1/2	1/2

NO.	PC. NO.	QUAN.	DESCRIPTION	NO.	PC. NO.	QUAN.	DESCRIPTION
1	242775	1	Exh. Check Valve O-Ring	8	231551	1	Plunger O-Ring
2	248067	1	Valve Spring	9	239476	1	Retaining Ring
3	248068	1	Retaining Ring	10	283826	1	Exh. Check Valve Seat Assy.
4	248065	1	Valve Retainer	11	239615	1	Diaphragm
5	235063	1	Plunger O-Ring	12	239708	1	Diaphragm Washer
6	248064	1	Plunger	13	242109	1	Pan Hd. Thd. Rolling Screw
7	243849	1	Valve	14	248066	1	Exh. Check Valve Seat

THESE TRACTOR PROTECTION VALVES
ARE USED WITH PP-3 CONTROL VALVES.