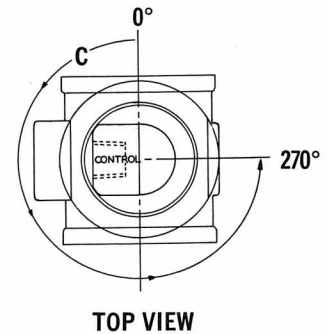
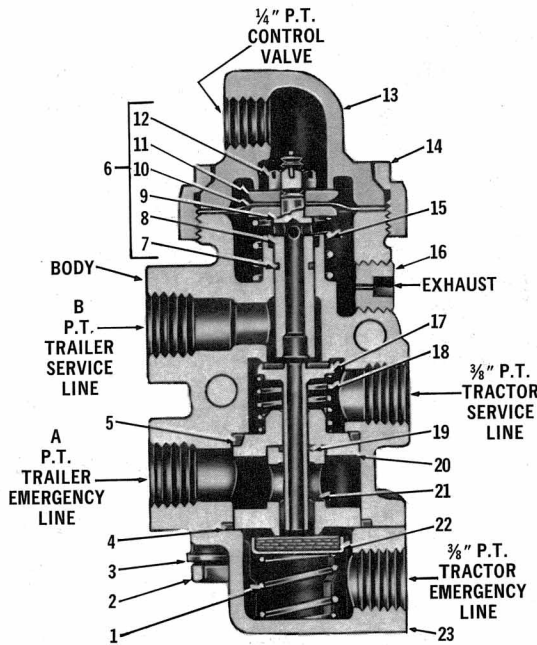
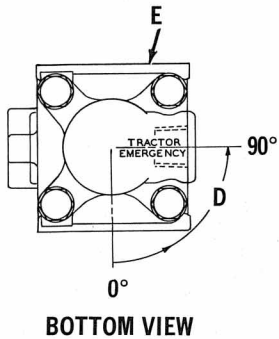


**TYPE TP-2  
(DUAL MOUNTING)**

The tractor protection valve is generally found mounted on the rear of the tractor cab. Used in conjunction with a dash mounted control valve, it provides a means of opening and closing the two air hoses (Service & Emergency) leading to the trailer. The tractor protection valve also serves an important safety related function by automatically closing in the event of a tractor trailer breakaway or reduction of tractor system air pressure.

For installation and maintenance information, see Instruction & Service Data Sheet, SD-20.



MAINTENANCE KIT FOR  
TP-2 IS PC. NO. 229418.

TP-2 TRACTOR PROTECTION VALVE O. E. PC. NO.	FOR SERV. OR REMFR. EXCH. USE PC. NO.	REFERENCE DETAILS				
		BODY PC. NO.	A PIPE THD.	B PIPE THD.	C CONTROL ANGLE (DEG.)	D TRACT. EMERG. ANGLE (DEG.)
227661	227661	237946	3/8	3/8	270	90
227672	227672	237968	1/2	1/2	270	90
227801	227801	237946	3/8	3/8	0	90
227932	227932	237946	3/8	3/8	270	0
228276	228276	237968	1/2	1/2	90	90
276160	227672	237968	1/2	1/2	270	90
276161	227661	237946	3/8	3/8	270	90
A283090	283090	247296	1/2	1/2	270	90

A—Has 1/8" P.T. At Location "E".

NO.	PC. NO.	QUAN.	DESCRIPTION	NO.	PC. NO.	QUAN.	DESCRIPTION
1	237837	1	Emergency Valve Spring	13	234482	1	Cap
2	202979	2	Cap Screw	14	232685	1	Cap Nut
3	202982	4	Lock Washer	15	237716	1	Exhaust Valve Spring
4	231007	1	Grommet, 1.6" O. D.	16	238253	1	Drilled Pipe Plug, 1/4"
5	213346	1	Grommet, 1.375" O. D.	17	237834	1	Service & Exhaust Valve
6	227470	1	Exhaust Valve Plunger Assy.	18	232702	1	Spring
7	214749	1	Grommet, .4375" O. D.	19	242994	1	Grommet
8	237720	1	Exhaust Valve Plunger	20	237836	1	Service & Exhaust Valve Guide
9	238376	1	Washer	21	237835	1	Disc Valve Seat
10	238375	1	Diaphragm	22	237709	1	Disc Valve
11	237717	2	Diaphragm Follower	23	237744	1	Cover
12	230401	1	Nut				

These Tractor Protection Valves are used with Two-Way Control Valves.