

The DV-2 Automatic Reservoir Drain Valve is designed to eject moisture and contaminants from the air system reservoir upon a slight reduction in reservoir pressure. It operates automatically due to ascending and descending reservoir pressures — Has only one moving part. Requires no manual assistance or control lines from other sources. Models for end and bottom drain reservoirs are available. Both models are available in heated versions for 12 or 24 volt electrical systems.

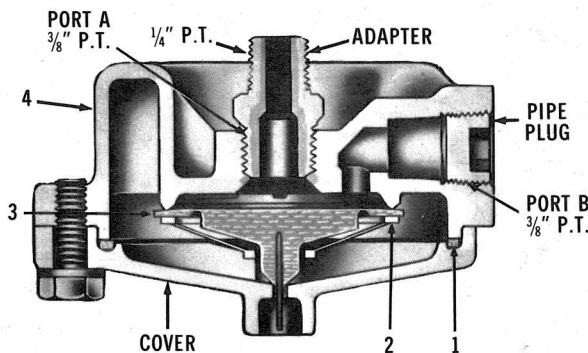
For installation and maintenance information, see Instruction and Service Data Sheet SD-03-63.

MAINTENANCE KIT FOR DV-2 IS PC. NO. 282134.

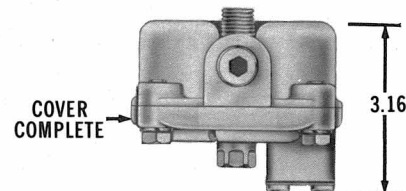
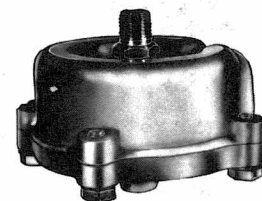
WEIGHT - .9 LBS.

VMRS. NO. 13-010-007

DEVICE CODE - 2501

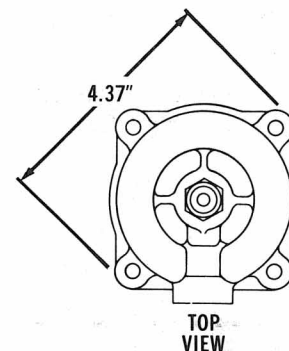


DV-2 WITHOUT HEATER



DV-2 WITH HEATER

COMMON SERVICE PARTS			
NO.	PC. NO.	QUAN.	DESCRIPTION
1	A	1	SEALING RING, 3.25" O.D.
2	A	1	VALVE GUIDE
3	A	1	INLET EXHAUST VALVE BODY
4	246262	1	ADAPTER
A-FURNISHED IN MAINTENANCE KIT 282134			



TOP VIEW

SUB ASSY. AND DETAIL REFERENCE

DV-2 AUTOMATIC RESERVOIR DRAIN VALVE PC. NO.	FOR SERVICE OR REMFR. EXCH. USE PC. NO.	CUSTOMER IDENTIFICATION	COVER OR COVER COMPLETE (SEE NOTE) PC. NO.	PORT A		PORT B		SYSTEM VOLTAGE	LEAD WIRE (#14-GA-HY-PALON INS. (LENGTH))
				ADAPTER PC. NO.	PIPE PLUG PC. NO.	ADAPTER PC. NO.	PIPE PLUG PC. NO.		
101659	289976	FORD D9HS-2A131-EA	C 101108	—	233057	293248	—	12	11"
B 101662	285518	FORD D9HS-2A131-FA	C 285589	293248	—	—	233057	12	5"
281923	281923	NONE	246261	293248	—	—	233057	—	—
281924	281924	NONE	246261	—	233057	293248	—	—	—
282569	281923	MACK 20QEA389	246261	293248	—	—	233057	—	—
283011	281924	IHC 778063-C92	246261	—	233057	293248	—	—	—
283174	281923	FORD D9HT-2A131-BA	246261	293248	—	—	233057	—	—
283347	281923	IHC 777915-C92	246261	293248	—	—	233057	—	—
283817	281924	FORD DOHA-2A131-A	246261	—	233057	293248	—	—	—
284412	284412	NONE	C 284413	293248	—	—	233057	12	11"
284795	284795	NONE	C 284413	—	233057	293248	—	12	11"
B 285518	285518	NONE	C 285589	293248	—	—	233057	12	5"
286665	281924	FORD D9HT-2A131-AA	246261	—	290622	293248	—	—	—
289796	289796	NONE	C 289798	—	233057	293248	—	12	5"
289976	281924	FORD D3HS-2A131-AA	C 101108	—	233057	293248	—	12	11"

B-LEAD WIRE INCLUDES TERMINAL 521218-BB-2 AND WEATHER SEAL MOLD 086-1 (ESSEX INT.)

C-DETAIL PARTS IN HEATED COVER ARE NOT SERVICEABLE-HEATED COVER COMPLETE (INCLUDES THERMOSTAT & HEATER) IS REQUIRED FOR SERVICE.