

SPRING BRAKE VALVE

TYPE SR-4

CATALOG
03-A-05A

The SR-4 Spring Brake Valve is similar to the SR-2 Spring Brake Valve. The complete SR-4 assembly consists of an SR-4 sub-assembly, a pressure protection valve and an SC-1 Single Check Valve.

Because of the identical appearance of the SR-2 and SR-4 Valve Sub Assembly, identification of a replacement valve is important. Because of different operational characteristics, in no case should they be interchanged with each other.

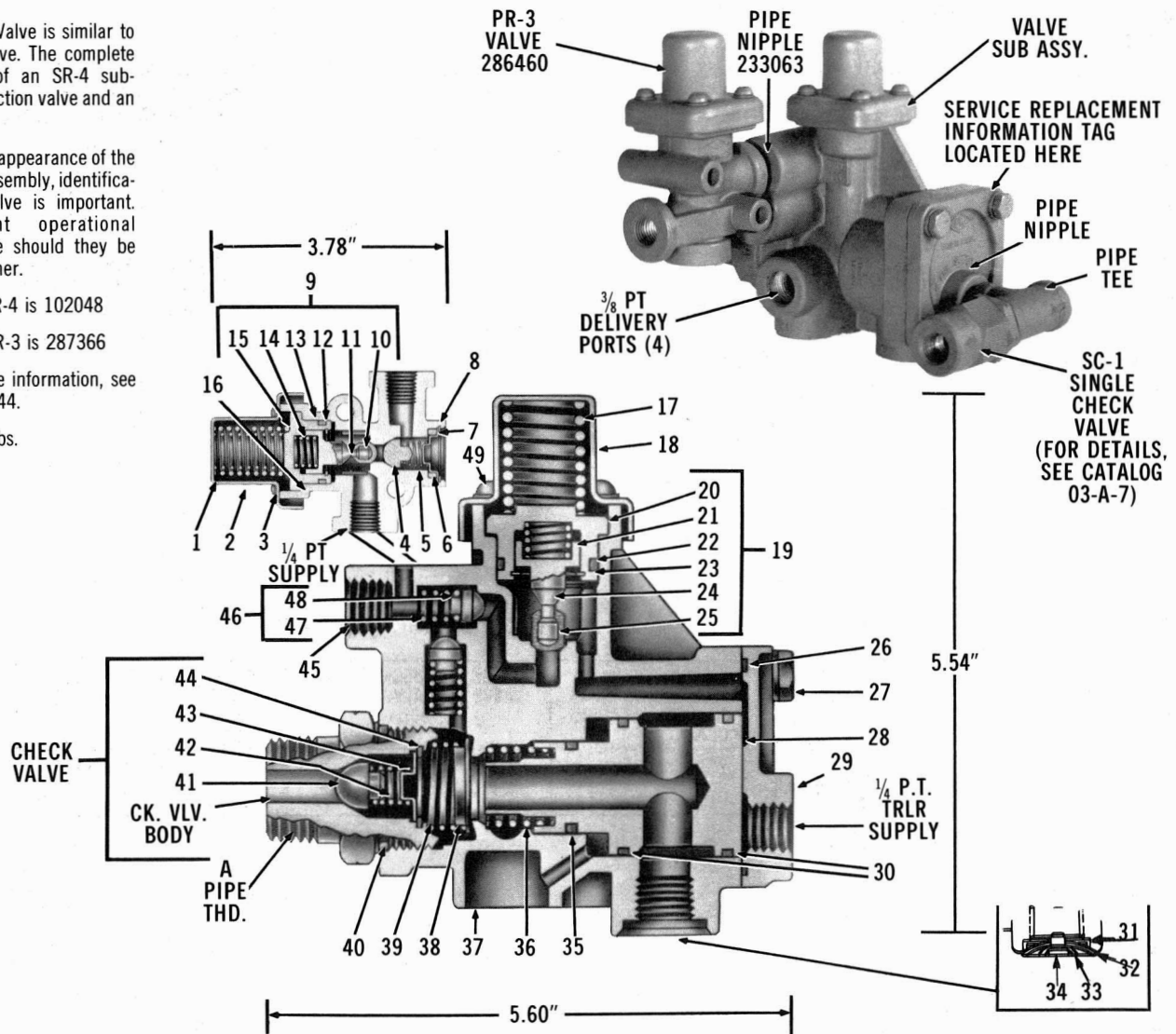
Maintenance Kit for SR-4 is 102048

Maintenance Kit For PR-3 is 287366

For service/maintenance information, see Service Data Sheet SD-03-44.

Weight — Approx. 3½ lbs.

VMRS No. 13-010-111



COMMON SERVICE PARTS

TYPE SR-4 SPRING BRAKE VALVE

PR-3 VALVE (RESERVOIR CONTROL) PC. NO. 286460

NO.	PC. NO.	QTY.	DESCRIPTION
1	291799	1	OUTER SPRING
2	290505	1	SPRING RETAINER
3	292275	4	#10 MACH. SCREW
4	A	1	CHECK VALVE
5	A	1	CHECK VALVE SPRING
6	290506	1	O-RING RETAINER
7	A	1	RETAINING RING
8	A	1	O-RING
9	A	1	PISTON ASSY.
10	A	1	INLET & EXHAUST VALVE
11	A	1	STEM
12	A	1	RETAINING RING
13	A	1	O-RING
14	A	1	SPRING
15	A	1	PISTON
16	290501	1	BODY

VALVE SUB ASSEMBLY (SEE SCHEDULE)

NO.	PC. NO.	QTY.	DESCRIPTION	NO.	PC. NO.	QTY.	DESCRIPTION
17	B	1	SPRING	35	B	1	O-RING
18	290505	1	SPRING RETAINER	36	B	1	SPRING
19	B	1	PISTON ASSY.	37	291154	1	BODY
20	B	1	PISTON	38	B	1	VALVE
21	B	1	SPRING	39	B	1	INLET VALVE SPRING
22	B	1	O-RING	40	B	1	O-RING
23	B	1	RETAINING RING	SEE SCHEDULE			CHECK VALVE ASSY.
24	B	1	STEM	SEE SCHEDULE			BODY
25	B	1	INLET & EXHAUST VALVE	41	B	1	CHECK VALVE
26	249159	1	SEALING RING	42	B	1	CHECK VALVE SPRING
27	293317	4	1/4" MACH. SCREW	43	293137	1	VALVE RETAINER
28	291156	1	CONTROL VALVE	44	247285	1	RETAINING RING
29	291157	1	COVER	45	233057	2	PIPE PLUG 3/8"
30	B	2	O-RING	46	B	1	CHECK VALVE ASSY.
31	246367	1	DIAPHRAGM RETAINER	47	B	1	CHECK VALVE SPRING
32	B	1	DIAPHRAGM	48	B	1	CHECK VALVE
33	246369	1	DIAPHRAGM WASHER	49	292275	1	#10 MACH. SCREW
34	246370	1	#6 THD. ROLL SCREW				

NOTE: NOMINAL CLOSING PRESS. IS 60 PSI

A-AVAILABLE IN MAINTENANCE KIT 287366.

B-AVAILABLE IN MAINTENANCE KIT 102048.

MAINTENANCE KIT FOR SR-4
SPRING BRAKE VALVE
PC. NO. 102048

NO.	QTY.	DESCRIPTION
—	1	MAINTENANCE KIT (PR-3) 287366
17	1	SPRING
19	1	PISTON ASSY.
26	1	SEALING RING
30	2	O-RING
32	1	DIAPHRAGM
35	1	O-RING
36	1	SPRING
38	1	INLET AND EXHAUST VALVE
39	1	INLET VALVE SPRING
40	1	O-RING
41	1	CHECK VALVE
42	1	SPRING
46	2	CHECK VALVE

THE FOLLOWING PARTS ARE USED TO
SERVICE THE 229603 CHECK VALVE
(INCLUDED IN KIT 102048)

—	1	O-RING
—	1	SPRING
—	1	VALVE SEAT
—	1	VALVE

MAINTENANCE KIT FOR
PR-3 RES. CONTROL VALVE
PC. NO. 287366

NO.	QTY.	DESCRIPTION
4	1	CHECK VALVE
5	1	CHECK VALVE SPRING
7	1	SNAP RING
8	1	O-RING
9	1	PISTON ASSY.

SUB ASSY. AND DETAIL REFERENCE

SR-4 SPRING BRAKE VALVE PC. NO.	FOR SERV. OR REMFR. EXCH. USE PC. NO.	VALVE SUB- ASSY.	CHECK VALVE	CHECK VALVE BODY	A PIPE THD.	PIPE NIPPLE	PIPE TEE	SC-1 SINGLE CHECK VALVE
101112	101112	101113	101114	293138	3/4	233063	233062	229603
101121	101121	101113	101114	293138	3/4	—	—	—
101622	101622	101542	101541	293546	1/2	233063	233062	229603