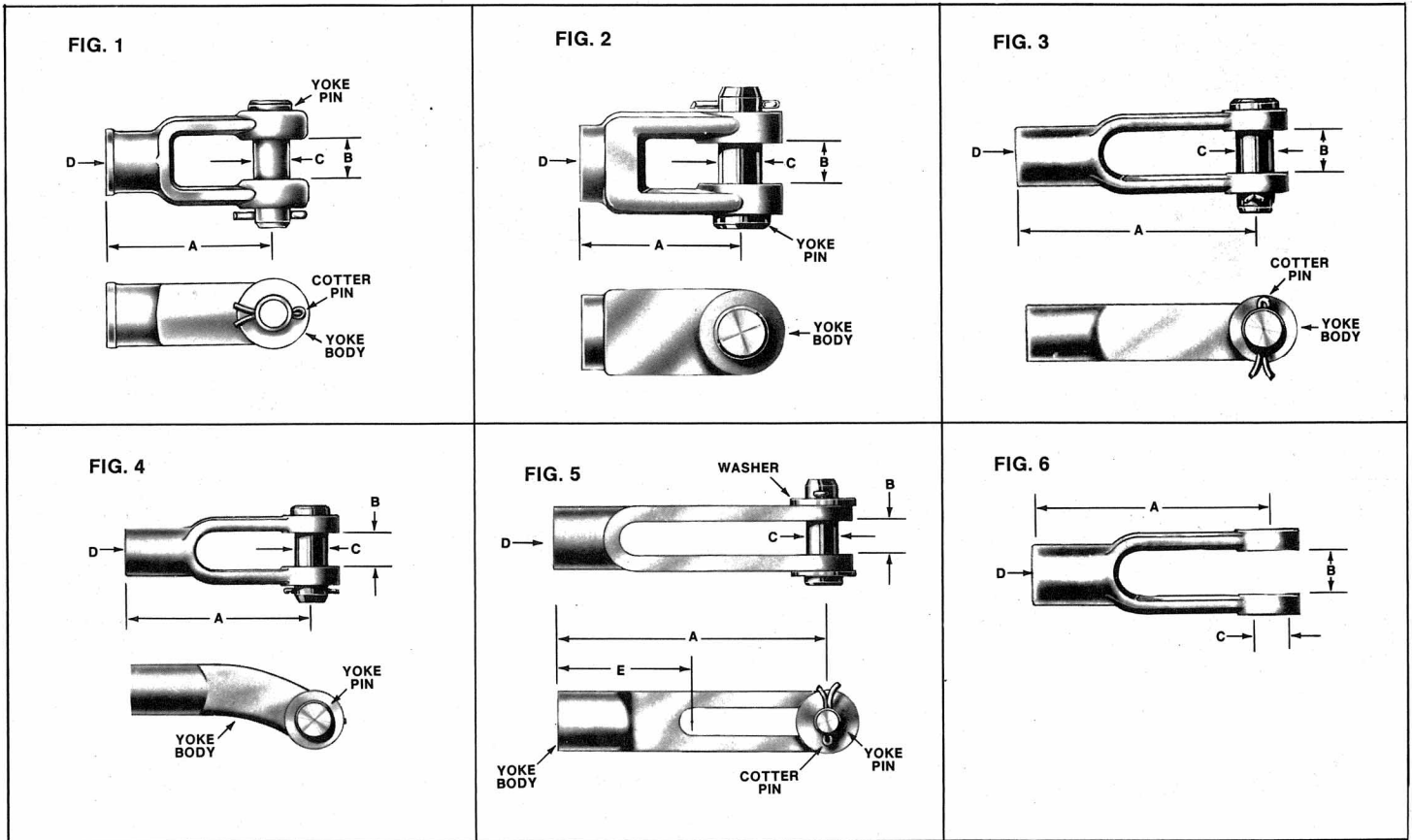


### YOKE ASSEMBLIES

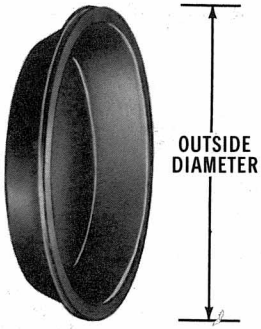


Yoke Assembly Pc. No.	Yoke Body Pc. No.	Yoke Pin Pc. No.	Cotter Pin Pc. No.	A End to Pin	B Slot Width	C Pin Dia.	D Thread Size
<b>STANDARD YOKE ASSEMBLIES — FIG. 1</b>							
205948	202797	200054	203019	1 <sup>3</sup> / <sub>4</sub> "	9/16"	.496"	1/2-20
225591	235423	200235	203019	1 <sup>1</sup> / <sub>16</sub> "	9/16"	.496"	5/8-18
228790	239149	202550	203019	1 <sup>3</sup> / <sub>4</sub> "	9/16"	.496"	5/8-18
228798	239151	239160	203019	1 <sup>3</sup> / <sub>4</sub> "	9/16"	.621"	5/8-18
228799	239154	239160	203019	1 <sup>3</sup> / <sub>4</sub> "	1 <sup>1</sup> / <sub>16</sub> "	.621"	5/8-18
228800	239155	239160	203019	1 <sup>3</sup> / <sub>4</sub> "	9/16"	.621"	1/2-20
<b>STANDARD YOKE ASSEMBLIES — FIG. 2</b>							
205622	200934	200054	203019	1 <sup>5</sup> / <sub>8</sub> "	9/16"	.496"	1/2-20
225530	235358	200054	203019	1 <sup>7</sup> / <sub>16</sub> "	9/16"	.496"	1/2-20
<b>LONG ARM YOKE ASSEMBLY — FIG. 3</b>							
205433	200979	200982	203019	2 <sup>3</sup> / <sub>8</sub> "	9/16"	.496"	1/2-20
<b>BENT ARM YOKE ASSEMBLY — FIG. 4</b>							
220730	213677	200982	203019	2 <sup>1</sup> / <sub>16</sub> "	9/16"	.496"	1/2-20

Yoke Assembly Pc. No.	Yoke Body Pc. No.	Yoke Pin Pc. No.	Cotter Pin Pc. No.	Washer Pc. No.	A End to 1st Position	B Slot Width	C Pin Diameter	D Thread Size	E End to 2nd Position
<b>SLIDE YOKE ASSEMBLIES — FIG. 5</b>									
221779	214857	200054	203019	203139	4 <sup>1</sup> / <sub>2</sub> "	9/16"	.496"	1/2-20	2 <sup>1</sup> / <sub>4</sub> "
221780	230324	200054	203019	203139	4 <sup>1</sup> / <sub>8</sub> "	9/16"	.496"	1/2-20	1 <sup>7</sup> / <sub>8</sub> "

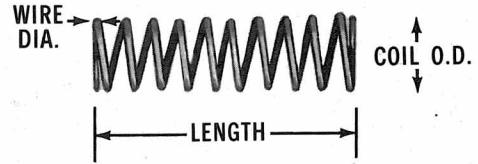
Yoke Body Pc. No.	A End to Hole Center	B Slot Width	C Hole Diameter	D Thread Size
<b>FIG. 6</b>				
234151	4 <sup>15</sup> / <sub>16</sub> "	9/16"	.623"	5/8-18
234152	4 <sup>15</sup> / <sub>16</sub> "	9/16"	.498"	5/8-18

DIAPHRAGMS - SPRINGS - BOOTS



DIAPHRAGMS

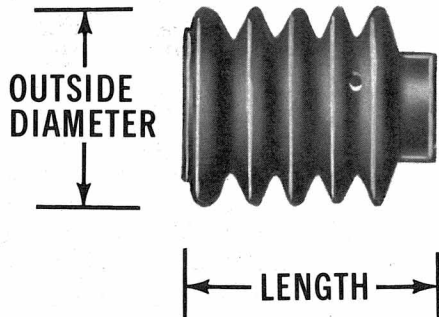
Type	Natural Rubber	Neoprene	Outside Diameter
9	234433	236663	5 <sup>1</sup> / <sub>32</sub> "
12	234226	236664	5 <sup>15</sup> / <sub>32</sub> "
16	234189	236665	6 <sup>5</sup> / <sub>32</sub> "
20	234099	236666	6 <sup>39</sup> / <sub>64</sub> "
24	234100	236667	7 <sup>3</sup> / <sub>64</sub> "
30	234101	236668	7 <sup>59</sup> / <sub>64</sub> "
36	234362	236669	8 <sup>53</sup> / <sub>64</sub> "



SPRINGS -  
CLAMP RING UNITS

Spring Pc. No.	Length	Coil O.D.	Wire Dia.
234435	8 <sup>27</sup> / <sub>32</sub> "	2"	.086"
234229	7 <sup>19</sup> / <sub>32</sub> "	2 <sup>11</sup> / <sub>64</sub> "	.086"
234192	7 <sup>21</sup> / <sub>32</sub> "	2 <sup>5</sup> / <sub>32</sub> "	.120"
234129	7 <sup>13</sup> / <sub>64</sub> "	3 <sup>1</sup> / <sub>8</sub> "	.148"
234130	7 <sup>1</sup> / <sub>32</sub> "	3 <sup>7</sup> / <sub>32</sub> "	.162"
234131	7 <sup>31</sup> / <sub>64</sub> "	2 <sup>31</sup> / <sub>32</sub> "	.172"
234365	8 <sup>25</sup> / <sub>32</sub> "	3 <sup>21</sup> / <sub>64</sub> "	.207"

BOOTS



Boot Pc. No.	Length	Outside Diameter
201687	3"	1 <sup>3</sup> / <sub>4</sub> "
203286	2 <sup>13</sup> / <sub>16</sub> "	1 <sup>3</sup> / <sub>4</sub> "
231393	3 <sup>15</sup> / <sub>16</sub> "	2 <sup>1</sup> / <sub>8</sub> "
231406	4 <sup>29</sup> / <sub>32</sub> "	2 <sup>9</sup> / <sub>16</sub> "
231609	3 <sup>1</sup> / <sub>2</sub> "	1 <sup>1</sup> / <sub>2</sub> "
233077	2 <sup>5</sup> / <sub>16</sub> "	1 <sup>3</sup> / <sub>4</sub> "
233835	3 <sup>15</sup> / <sub>16</sub> "	2 <sup>1</sup> / <sub>8</sub> "
234018	3 <sup>7</sup> / <sub>8</sub> "	1 <sup>3</sup> / <sub>4</sub> "
235408	3 <sup>13</sup> / <sub>16</sub> "	2 <sup>9</sup> / <sub>16</sub> "