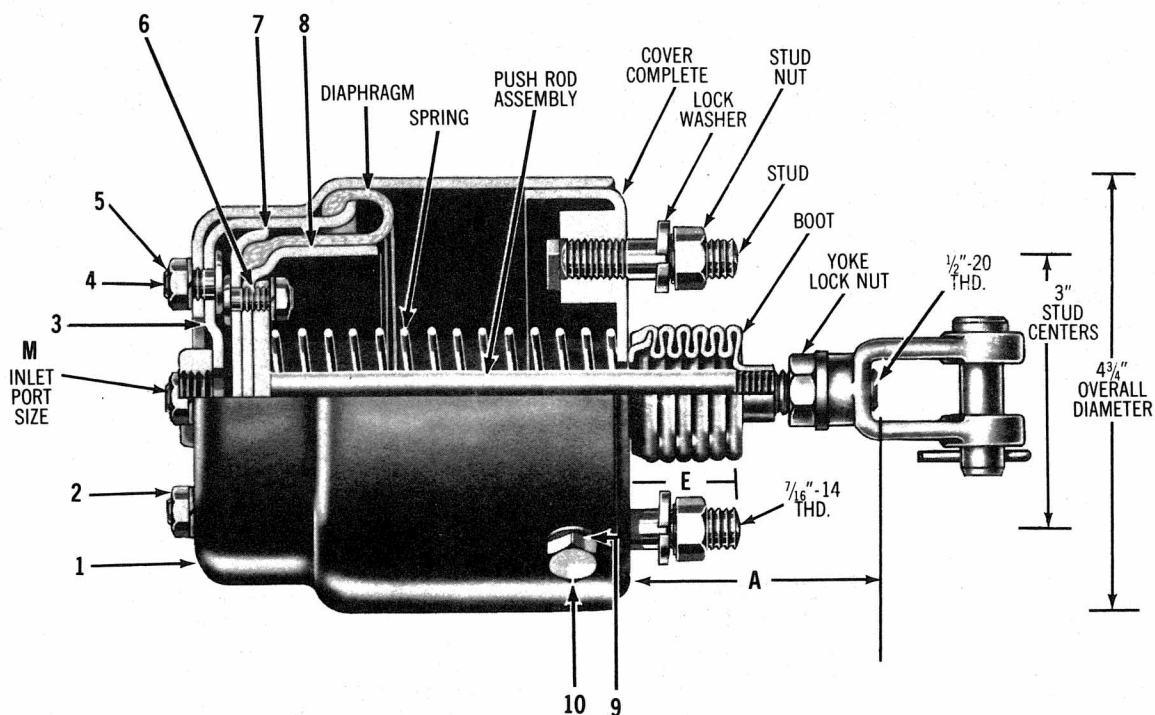


TYPE 9 SERVICE 2 INCH STROKE

A Rotochamber is an actuator which converts the energy of air pressure into a mechanical force. The various sizes available provide a wide range of output forces. The rolling type diaphragm provides long life and gives a constant output force throughout the entire stroke.

For further information regarding installation and maintenance, consult Instruction & Service Data Sheet SD-9.



EFFECTIVE DIAPHRAGM AREA — 9 SQUARE INCHES

No.	Pc. No.	Quan.	Description	No.	Pc. No.	Quan.	Description
1	231471	1	Body	6	231474	3	Bolt
2	203147	7	Nut	7	222228	1	Inner Diaphragm Clamp
3	222230	1	Outer Diaphragm Clamp	8	231475	1	Diaphragm Guide
4	231479	4	Bolt	9	201318	4	Lock Washer
5	202981	7	Lock Washer	10	214858	4	Cap Screw

SEE SCHEDULE OF SERVICE PC. NO'S. AND
CONVERSION LIST ON BACK OF PAGE.

TYPE 9 SERVICE
2 INCH STROKE

TYPE 9 SERVICE ROTOCHAMBER PC. NO.	PUSH ROD ASSEMBLY PC. NO.	YOKE LOCK NUT PC. NO.	STUD (2 REQ'D.) PC. NO.	STUD NUT (2 REQ'D.) PC. NO.	LOCK WASHER (2 REQ'D.) PC. NO.	BOOT PC. NO.	SPRING PC. NO.	COVER COMPLETE PC. NO.	DIAPHRAGM PC. NO.	A PUSH ROD TO COVER (INCHES)	E STUD END TO COVER (INCHES)	M INLET PORT SIZE	FEATURES
A 226826	227522	201438	210709	214526	202984	203286	237012	222231	231472	2	1¼	¼	HVY. SPRING
A 229035	227527	201438	204591	214526	202984	231609	231481	222231	236524	4¼	2¼	¼	NEO DIAPH. LONG MTG. STUDS
ABC 229039	227522	201438	210709	214526	202984	203286	235556	222231	236524	2	1¼	¼	HVY. SPRING, NEO DIAPH. SHORT STROKE
ABC 229794	227524	201438	210709	201438	202984	231609	233950	222231	236524	3	1¼	¼	HVY. SPRING NEOPRENE DIAPH.
CDE 281454	281610	201438	210709	214526	202984	NONE	245961	223330	231472	¾	1¼	¼	HVY. SPRING SHORT STROKE
CF 283077	283621	NONE	210709	214526	202984	231609	231481	222231	231472	3¼	1¼	¼	LONG STROKE
ACF 284814	227526	201438	210709	214526	202984	231609	234110	222231	231472	4	1¼	¼	HVY. SPRING
	286778	NONE	210709	214526	202984	231609	231481	222231	236524	13	1¼	¼	NEOPRENE DIAPH.
H 288022	229831	NONE	210709	214526	202984	231609	231481	222231	231472	13	1¼	¾	STD. UNIT
A 288097	227522	201438	210709	214526	202984	203286	239277	222231	236524	2	1¼	¼	NEOPRENE DIAPH. HVY. SPRING

A-INCLUDES YOKE ASSY. 205948.
 B-ADD INNER SPRING, 235555 & PUSH ROD STOP, 225685, (STROKE IS 1¼)
 C-SUBSTITUTE INNER DIAPHRAGM CLAMP, 224498 FOR ITEM 7.
 D-ADD PUSH ROD STOP, 281610, MIDDLE SPRING, 245960 & INNER SPRING, 245949.
 E-INCLUDES YOKE ASSY. 225530.
 F-ADD INNER SPRING, 234109 & SPRING GUIDE, 234108.
 H-SUBSTITUTE OUTER DIAPHRAGM CLAMP, 287173 FOR ITEM 3. (¾" P.T. INLET)

NOTE: ALL SERVICE ROTOCHAMBERS ARE FURNISHED WITH LONG THREADED PUSH ROD, LESS YOKE.

TYPE 9 SERVICE ROTOCHAMBERS
CONVERSION LIST

ORIG. EQUIP. PC. NO.	SERVICE REPLACEMENT	
	ROTO-CHAMBER PC. NO.	YOKE ASSY. PC. NO.
222227	288022	205948
223072	288022	205948
223186	288022	NONE
223369	288022	205948
223859	288022	205948
223875	288022	205948
223978	288022	205948
224496	288022	205948
224499	284814	NONE
224553	288022	205948
225328	288022	205948
225607	288022	NONE
226826	226826	205948
227732	288022	NONE
228230	286778	NONE
228773	286778	205948
229033	286778	205948
229034	286778	205948
229035	229035	205948

ORIG. EQUIP. PC. NO.	SERVICE REPLACEMENT	
	ROTO-CHAMBER PC. NO.	YOKE ASSY. PC. NO.
229037	286778	221779
229038	229794	205948
229039	229039	205948
229794	229794	205948
229814	228022	NONE
275205	286778	275204
275552	286778	NONE
281274	288022	NONE
281454	288022	225530
282516	288022	221779
283077	283077	NONE
284814	284814	205948
285856	288022	205948
286778	286778	NONE
288021	288022	205948
288022	288022	NONE
288023	288022	205948
288097	288097	205948