

SERVICE REPLACEMENT BRAKE CHAMBERS

TYPE 36

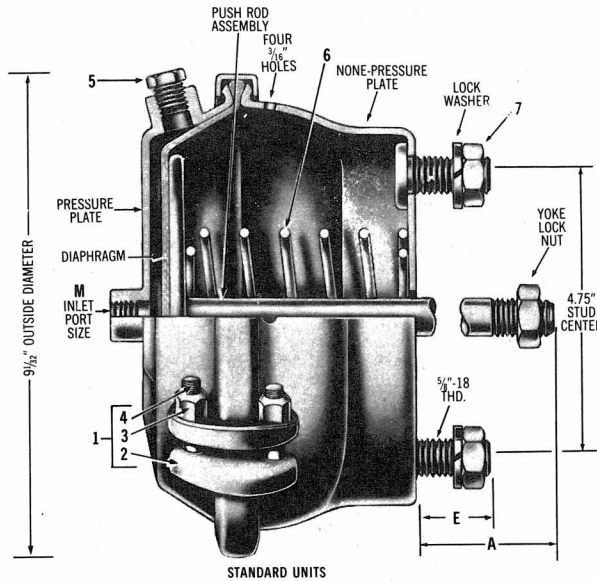
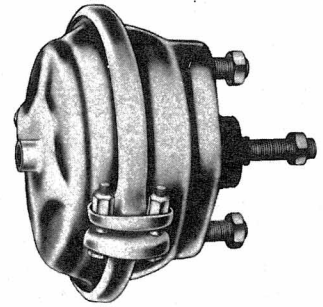
CATALOG
02-1-01

TYPE 36 3" STROKE

A Brake Chamber is an actuator which converts the energy of air pressure into a mechanical force. Brake Chambers are available in nine sizes, providing a wide range of output forces and strokes. The type of chamber indicates the diaphragm's effective area (Type 30 = 30 sq. in. effective area).

For further information regarding installation and maintenance, consult Instruction & Service Data Sheet SD-28.

SEE CONVERSION LIST
ON BACK OF PAGE.



SERVICE CHAMBERS:

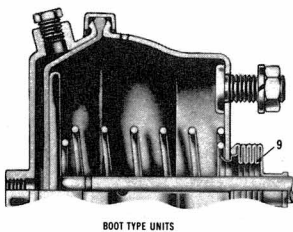
- (1) Have long threaded Push Rod that may be cut to length.
- (2) Do not include Yoke.

REFERENCE DETAILS

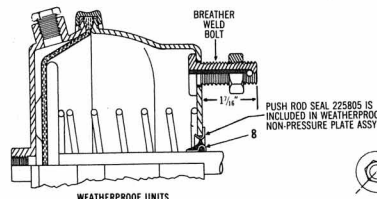
No.	Pc. No.	Quan.	Description
STANDARD UNITS			
1	227747	1	Clamp Ring Assy.
2	237893	1	Clamp Ring
3	237887	2	Nut
4	237886	2	Bolt
5	230111	1	Pipe Plug, 1/4"
6	234365	1	Spring
7	204781	2	Nut
WEATHERPROOF UNITS			
Add:			
8	235768	1	Grommet
BOOT UNITS			
Add:			
9	239496	1	Boot

SPRING LOAD

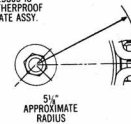
SPRING	LOAD AT 0" STROKE (LBS.)	LOAD INCREASE PER INCH OF STROKE (LBS.)
PC. NO. 234365	49	13.25
PC. NO. 240419	90	26



BOOT TYPE UNITS



WEATHERPROOF UNITS



5/16" APPROXIMATE RADIUS

TYPE 36 SERVICE BRAKE CHAMBER PC. NO.	PUSH ROD ASSY. PC. NO.	YOKE LOCK NUT PC. NO.	LOCK WASHER (2 REQ'D.) PC. NO.	NON-PRESSURE PLATE PC. NO.	DIAPHRAGM PC. NO.	A ROD END TO PLATE	E STUD END TO PLATE	M INLET PORT SIZE	PRESSURE PLATE PC. NO.	INLET LOCATION	FEATURES
STANDARD UNITS											
286812	224777	204781	NONE	225949	236669-N	8 1/8"	1 3/16"	1/4"	225645	CENTER	NEOPRENE DIAPHRAGM
287672	228390	204781	202986	275470	234362-R	2.50	2.38	3/8"	287286	CENTER	LONG MTG. BOLTS
288818	288788	204781	202986	225975	234362-R	12.00	1.44	3/8"	275137	C & S	STD. UNIT
WEATHERPROOF UNITS											
228915	225313	NONE	202986	226710	236669-N	3.00	1 7/16"	1/4"	225645	SIDE	NEOPRENE DIAPHRAGM
288819	288788	204781	202986	226710	234362-R	12.00	1 7/16"	3/8"	275137	C & S	STD. W. P. UNIT
BOOT UNITS											
A 287675	226617	204781	202986	229207	234362-R	1.75	1.44	3/8"	287286	CENTER	HVY. SPRING
288820	288788	204781	202986	229207	234362-R	12.00	1.44	3/8"	275137	C & S	STD. BOOT UNIT

A-SUBSTITUTE SPRING, 240419 FOR ITEM 6. ASSY. INCLUDES YOKE ASSY. 229496.

N-NEOPRENE
R-RUBBER

BRAKE CHAMBERS NOT AVAILABLE
IN REMANUFACTURED EXCHANGE

TYPE 36 BRAKE CHAMBER PIECE NUMBER CONVERSION LIST

ORIG. EQUIP. PC. NO.	SERVICE REPLACEMENT	
	SERVICE CHAMBER PC. NO.	YOKE ASSY. PC. NO.
STANDARD UNITS		
225928	288818	NONE
226029	288818	228790
226210	288818	228790
226258	288818	NONE
226259	288818	NONE
226481	288818	228798
226698	288818	228790
227639	288818	228798
227823	288818	NONE
227950	287672	228798
228297	288818	229496
228388	288818	229496
228728	288818	228798
275469	287672	228798
280482	288818	228798
281936	288818	228790
282970	287672	NONE
284811	288818	NONE
284963	288818	228790
286812	286812	NONE
286853	288818	NONE
287225	288818	NONE
287412	288818	229496
287413	288818	229496
287661	288818	NONE
287662	288818	228798
287663	288818	NONE
287664	288818	228790
287665	288818	228798
287666	288818	228798
287667	288818	229496
287668	288818	229496
287669	287672	228798
287670	288818	228790
287671	288818	228790
287672	287672	NONE
287674	288818	NONE
287677	288818	228798
287678	288818	228790
287679	288818	NONE
288072	288818	228798

ORIG. EQUIP. PC. NO.	SERVICE REPLACEMENT	
	SERVICE CHAMBER PC. NO.	YOKE ASSY. PC. NO.
BOOT UNITS		
229385	288820	228798
229387	288820	228798
229390	288820	228798
229391	288820	228798
229392	288820	228798
229395	288820	NONE
229402	288820	NONE
229403	288820	228798
229405	288820	228798
229406	288820	228798
275819	287675	229496
280308	288820	228790
281092	288820	228790
284755	288820	228799
285579	288820	228798
285851	288820	228798
286626	288820	229496
286849	288820	NONE
287649	288820	228798
287650	288820	NONE
287651	288820	229496
287652	288820	NONE
287653	288820	228798
287654	288820	228798
287655	288820	228790
287656	288820	228790
287657	288820	228799
287658	288820	228798
287659	288820	229496
287660	288820	228790
287675	287675	229496

ORIG. EQUIP. PC. NO.	SERVICE REPLACEMENT	
	SERVICE CHAMBER PC. NO.	YOKE ASSY. PC. NO.
WEATHERPROOF UNITS		
225942	288819	228798
226392	288819	NONE
226801	288819	228798
226803	288819	228790
226810	288819	228798
226962	288819	NONE
227127	288819	228790
227715	288819	229496
228068	288819	228798
228915	228915	NONE
229473	288819	229496
229830	288819	229496
287642	288819	228790
287643	288819	NONE
287644	288819	228790
287645	288819	229496
287646	288819	228798
287647	288819	239189
287648	288819	229496