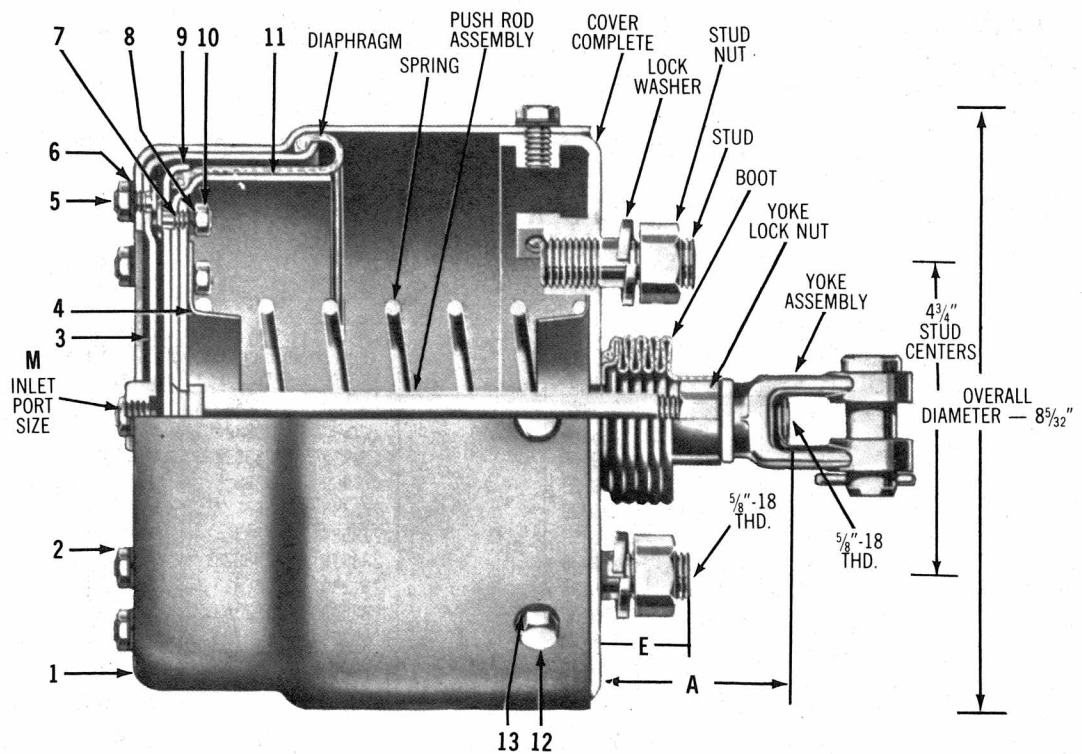


### TYPE 36 SERVICE 3 1/2 INCH STROKE

A Rotochamber is an actuator which converts the energy of air pressure into a mechanical force. The various sizes available provide a wide range of output forces. The rolling type diaphragm provides long life and gives a constant output force throughout the entire stroke.

For further information regarding installation and maintenance, consult Instruction & Service Data Sheet SD-9.



EFFECTIVE DIAPHRAGM AREA — 36 SQUARE INCHES

No.	Pc. No.	Quan.	Description	No.	Pc. No.	Quan.	Description
1	231533	1	Body	8	202981	8	Lock Washer
2	203145	8	Nut	9	222257	1	Inner Diaphragm Clamp
3	222259	1	Outer Diaphragm Clamp	10	203147	8	Nut
4	245413	2	Spring Guide	11	231536	1	Diaphragm Guide
5	290923	8	Bolt	12	201504	8	Lock Washer
6	202982	8	Lock Washer	13	231826	8	Cap Screw
7	290927	8	Bolt				

SEE SCHEDULE OF SERVICE PC. NO.'S. AND  
CONVERSION LIST ON BACK OF PAGE.

TYPE 36 SERVICE  
3 1/2 INCH STROKE

TYPE 36 SERVICE ROTOCHAMBER PC. NO.	PUSH ROD ASSEMBLY PC. NO.	YOKE LOCK NUT PC. NO.	STUD (2 REQ'D.) PC. NO.	STUD NUT (2 REQ'D.) PC. NO.	LOCK WASHER (2 REQ'D.) PC. NO.	SPRING PC. NO.	COVER COMPLETE PC. NO.	DIAPHRAGM PC. NO.	A PUSH ROD TO COVER (INCHES)	E STUD END TO COVER (INCHES)	M INLET PORT SIZE	FEATURES
F 223719	222258	204781	212360	204781	202986	231540	281890	231534	3 5/16	2 5/16	1/4"	LONG MTG. STUDS
G 282549	282550	204781	NONE	NONE	NONE	246784	282568	231534	4 1/4	—	1/2"	HVG. SPRING, LARGE INLET
BDG 282794	223450	204781	230675	204781	202986	231540	282795	236530	2 9/16	1 9/16	1/4"	SHORT STROKE
E 283730	285195	NONE	212694	204781	202986	247993	283731	231534	2 3/16	1 1/8	1/4"	LONG STROKE
AB 288825	288826	204781	230675	204781	202986	231540	281890	231534	11 9/16	1 9/16	3/8"	HVY. SPRING
B 288827	288826	204781	230675	204781	202986	231540	281890	231534	11 9/16	1 9/16	3/8"	STD. UNIT
B 288828	288826	204781	230675	204781	202986	231540	281890	236530	11 9/16	1 9/16	3/8"	NEOPRENE DIAPH.

A-ADD INNER SPRING, 237843.  
 B-SUBSTITUTE OUTER DIAPHRAGM CLAMP, 226889 FOR ITEM 3 (3/8" P.T. INLET)  
 C-ADD INNER SPRING, 246785. OMIT ONE (1) OF ITEM 4. SUBSTITUTE OUTER DIAPHRAGM CLAMP 281426 FOR ITEM 3 (1/2 P.T. INLET)  
 D-STROKE FOR THIS ASSY. IS 1 1/8".  
 F-INCLUDES YOKE ASSY. 228798.  
 G-INCLUDES YOKE ASSY. 228790.

NOTE: ALL SERVICE ROTOCHAMBERS ARE FURNISHED WITH LONG THREADED PUSH ROD, LESS YOKE.

TYPE 36 SERVICE ROTOCHAMBER  
CONVERSION LIST

ORIG. EQUIP. PC. NO.	SERVICE REPLACEMENT	
	ROTO-CHAMBER PC. NO.	YOKE ASSY. PC. NO.
222256	288827	228798
222789	288827	228798
223025	288827	229496
223390	288827	228799
223719	223719	228798
224186	288827	228799
224290	288827	229496
224526	288827	228798
224718	288827	229496
225019	288827	228790
225039	288827	228790
227109	288827	229496
227399	288827	228798
227969	288827	229496
228041	288827	229496
229010	288827	229496
229053	288828	229496
229224	288828	229496
229820	288827	NONE
276644	288825	228790

ORIG. EQUIP. PC. NO.	SERVICE REPLACEMENT	
	ROTO-CHAMBER PC. NO.	YOKE ASSY. PC. NO.
276948	288825	NONE
277500	288827	NONE
277932	288828	NONE
277968	288825	229496
278398	288827	NONE
278589	288827	NONE
280839	288828	228790
281280	288825	229496
282549	282549	NONE
282794	282794	228790
283730	283730	NONE
284158	288827	229496
284767	288825	229496
285237	288827	228790
286707	288827	228790
286784	288828	NONE
287172	288827	229496
287330	288827	228790
288272	288827	228798