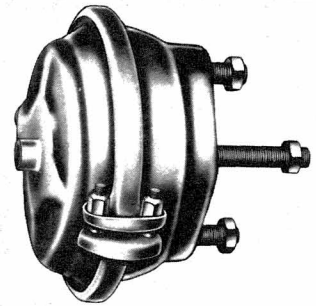


SERVICE REPLACEMENT BRAKE CHAMBERS

TYPE 16

CATALOG
02-E-01

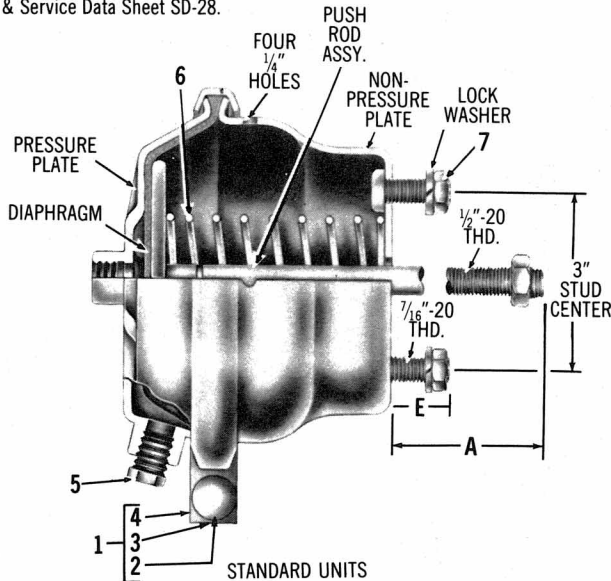
TYPE 16 2 1/4" STROKE



A Brake Chamber is an actuator which converts the energy of air pressure into a mechanical force. Brake Chambers are available in nine sizes, providing a wide range of output forces and strokes. The type of chamber indicates the diaphragm's effective area (Type 30 = 30 sq. in. effective area).

For further information regarding installation and maintenance, consult Instruction & Service Data Sheet SD-28.

SEE CONVERSION LIST ON BACK OF PAGE



- SERVICE CHAMBERS:
- (1) Have long threaded Push Rod that may be cut to length.
 - (2) Do not include Yoke.

REFERENCE DETAILS

No.	Pc. No.	Quan.	Description
STANDARD UNITS			
1	282825	1	Clamp Ring Assy.
2	246926	2	Clamp Ring
3	249573	2	Nut
4	242386	2	Bolt
5	230111	1	Pipe Plug, 1/4
6	234192	1	Spring
7	214526	2	Nut

WEATHERPROOF UNITS

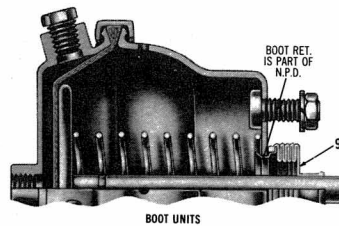
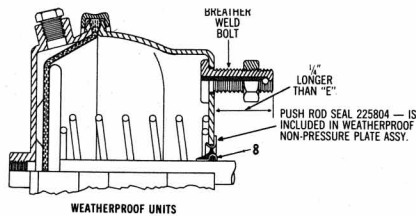
Add:			
8	212264	1	Grommet

BOOT UNITS

Add:			
9	239506	1	Boot

SPRING LOAD

SPRING	LOAD AT 0" STROKE (LBS.)	LOAD INCREASE PER INCH OF STROKE (LBS.)
PC. NO. 234192	20	9.5
240298	55	18.5



YOKES, SPRINGS, DIAPHRAGMS & BOOTS SHOWN ON CATALOG 02-J-1

TYPE 16 SERVICE BRAKE CHAMBER PC. NO.	PUSH ROD ASSY. PC. NO.	YOKE ASSY. PC. NO.	YOKE LOCK NUT PC. NO.	LOCK WASHER (2 REQ'D.) PC. NO.	NON-PRESSURE PLATE PC. NO.	DIAPHRAGM PC. NO.	A ROD END TO PLATE	E STUD END TO PLATE	M INLET PORT SIZE	PRESSURE PLATE PC. NO.	INLET LOCATION	FEATURES	
STANDARD TYPE UNITS													
A 275531	275427	NONE	204781	NONE	275428	234189-R	3.00	1.00	1/4"	225735	SIDE	5/8" PUSH ROD	
B 287350	225272	NONE	201438	202984	275165	234189-R	2.50	1.00	3/8"	287283	CENTER	HEAVY SPRING	
	287595	226067	205948	201438	202984	281344	234189-R	2.75	2.12	3/8"	287223	SIDE	LONG MTG. BOLTS
	286808	224724	NONE	201438	NONE	225945	236665-N	9.00	1.00	1/4"	225735	CENTER	NEOPRENE DIAPHRAGM
	288799	224724	NONE	201438	202984	226083	234189-R	9.00	1.50	3/8"	287284	C & S	STD. UNIT
WEATHERPROOF TYPE UNITS													
	228911	229965	NONE	NONE	202984	225952	236665-N	3.00	1.00	1/4"	225735	SIDE	NEOPRENE DIAPHRAGM
	287685	225042	205948	201438	NONE	226906	234189-R	8.50	—	3/8"	287283	CENTER	STUD MOUNTING
	287686	275088	NONE	NONE	NONE	275090	234189-R	2.12	—	3/8"	287283	SIDE	STUD MOUNTING
	288800	224724	NONE	201438	202984	225952	234189-R	9.00	1.00	3/8"	287284	C & S	STD. W. P. UNIT
BOOT TYPE UNITS													
	275164	225272	NONE	201438	202984	275165	234189-R	2.50	1.00	1/4"	225735	CENTER	HVY. SPRING
	288801	224724	NONE	201438	202984	229213	234189-R	9.00	2.50	3/8"	287284	C & S	STD. BOOT UNIT
	288802	224724	NONE	201438	202984	229213	236665-N	9.00	2.50	3/8"	287284	C & S	NEOPRENE DIAPHRAGM

A-PUSH ROD FOR THIS CHAMBER IS 5/8" DIA.
B-SUBSTITUTE SPRING, 240298 FOR ITEM 6.

N-NEOPRENE
R-RUBBER

BRAKE CHAMBERS NOT AVAILABLE
IN REMANUFACTURED EXCHANGE.

TYPE 16 BRAKE CHAMBER CONVERSION LIST

ORIG. EQUIP. PC. NO.	SERVICE REPLACEMENT	
	SERVICE CHAMBER PC. NO.	YOKE ASSY. PC. NO.
STANDARD UNITS		
225924	288799	NONE
226055	288799	205948
226212	288799	NONE
226213	288799	NONE
226214	288799	NONE
226215	288799	NONE
226477	288799	205948
226677	288799	NONE
226702	288799	205948
226714	288799	205948
226892	288799	205948
227154	288799	NONE
227859	286808	205948
227949	288799	205948
228052	288799	205948
228237	288799	205433
228423	288799	NONE
229469	288799	205948
229511	288799	NONE
229683	288799	NONE
229745	288799	202797
229760	288799	202797
275072	288799	NONE
275074	288799	NONE
275075	288799	NONE
275426	275531	275429
275531	275531	NONE
275367	288799	NONE
276690	287595	NONE
280411	288799	NONE
281261	288799	205948
281342	287595	205948
281343	288799	205948
282804	288799	205948

ORIG. EQUIP. PC. NO.	SERVICE REPLACEMENT	
	SERVICE CHAMBER PC. NO.	YOKE ASSY. PC. NO.
STANDARD UNITS		
284845	288799	202797
286808	286808	NONE
286852	288799	NONE
287222	288799	202797
287350	287350	NONE
287352	288799	205948
287574	288799	NONE
287575	288799	NONE
287576	288799	NONE
287577	288799	NONE
287578	288799	205948
287579	288799	NONE
287580	288799	202797
287581	288799	NONE
287582	288799	NONE
287583	288799	205433
287584	288799	NONE
287585	288799	205948
287586	288799	NONE
287587	288799	NONE
287588	288799	202797
287589	288799	202797
287590	288799	202797
287591	288799	NONE
287592	288799	NONE
287593	288799	NONE
287594	288799	NONE
287595	287595	205948
287596	288799	205948
287597	288799	205948
287598	288799	205948
287775	288799	NONE
288096	288799	205948

ORIG. EQUIP. PC. NO.	SERVICE REPLACEMENT	
	SERVICE CHAMBER PC. NO.	YOKE ASSY. PC. NO.
WEATHERPROOF UNITS		
225938	288800	205948
226118	288800	205948
226665	288800	NONE
226673	288800	NONE
226805	287685	205948
226806	288800	205433
227923	288800	205948
228911	228911	NONE
228958	288800	NONE
229840	288800	NONE
275086	287686	NONE
276407	288800	NONE
279514	288800	205948
282473	288800	NONE
287614	288800	205948
287615	288800	NONE
287616	288800	205433
287617	288800	205948
287618	288800	NONE
287619	288800	NONE
287685	287685	205948
287686	287686	NONE
287692	288800	NONE
287736	288800	NONE
287737	288800	202797

ORIG. EQUIP. PC. NO.	SERVICE REPLACEMENT	
	SERVICE CHAMBER PC. NO.	YOKE ASSY. PC. NO.
BOOT UNITS		
229278	288801	205948
229284	288801	NONE
229288	288801	NONE
229293	288801	205948
229299	288802	228802
229980	288801	205948
275164	275164	NONE
279826	288801	205948
279851	288801	205948
280478	288801	205948
287682	288801	NONE
287683	288802	228802
287684	288801	205948
287741	288801	205948
288232	288801	205948