

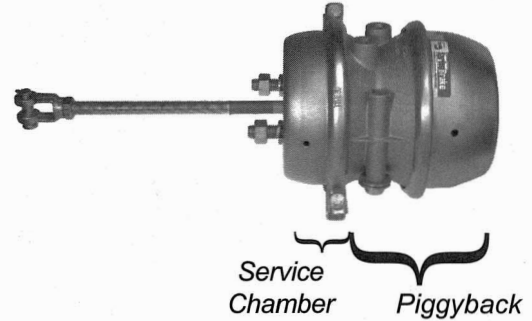
BENDIX COMBINATION SPRING BRAKE

SB-4

CATALOG
02-W-04

The Bendix Combination Spring Brake contains a service brake chamber and a piggyback chamber. The service chamber provides service braking and the piggyback chamber provides parking braking and emergency braking capabilities.

The Combination Spring Brake is available in a variety of sizes, providing a wide range of output forces and strokes. Combination Spring Brakes can be mounted with the mounting bolts in either a vertical or horizontal plane on standard mounting stud centers. Two connecting lines are used: service air and emergency air.



VMRS No. 13-010-025

SB-4 Maintenance Kits

Maintenance Kit Pc. No. **5007610** for Spring Brake Model T-30/30 consists of the following:

<u>Description</u>	<u>Quantity</u>
Service Diaphragm	1
Piggyback	1
Clamp Ring Half	2
3/8" Clamp Bolt	2
3/8" Clamp Nut	2

SB-4 Mounting Hardware Kit Pc. No. **800923** consists of the following:

<u>Description</u>	<u>Quantity</u>
Mounting Nut	2
Lockwasher	2

SB-4 Clamp Hardware Kit Pc. No. **800924** consists of the following:

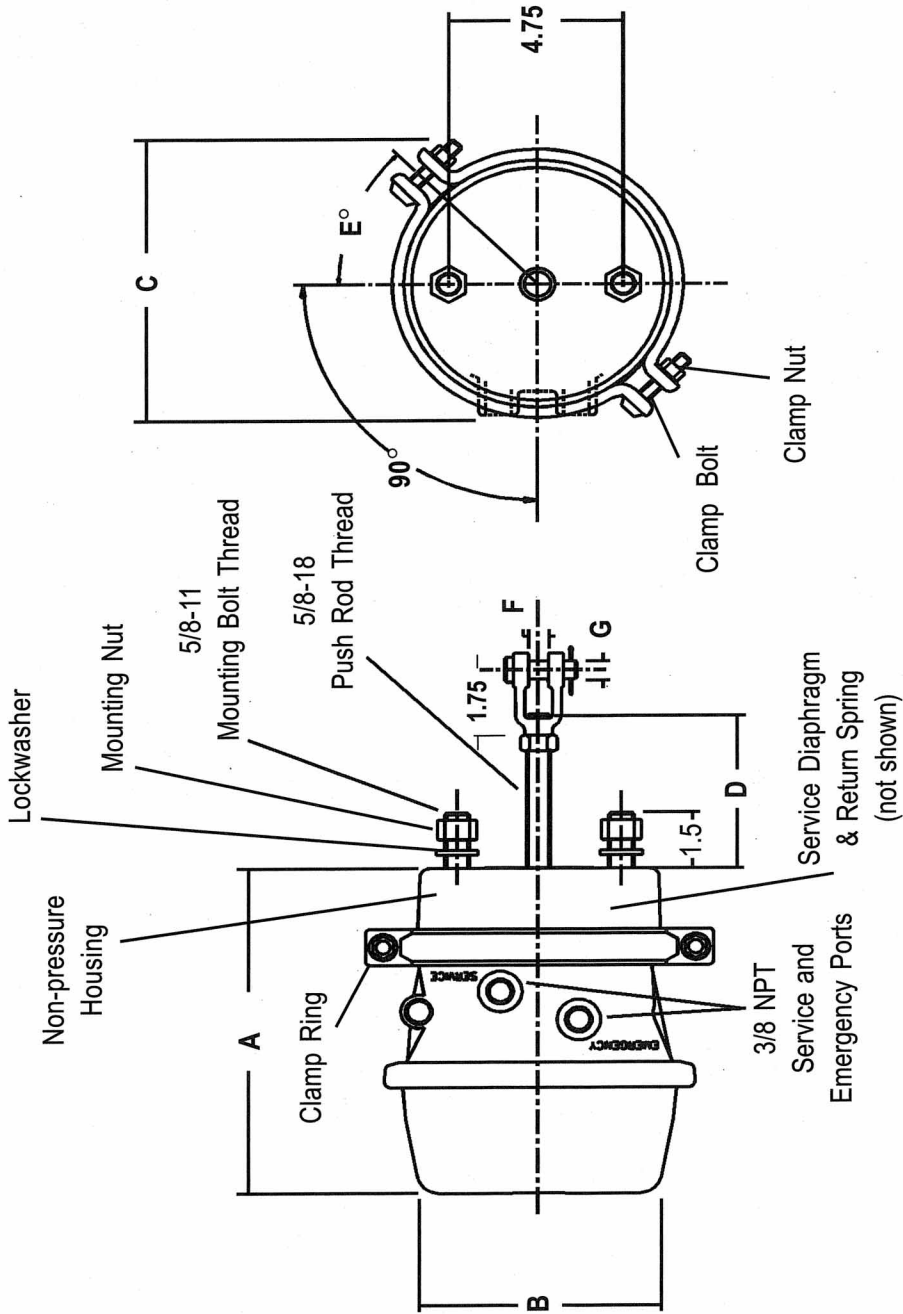
<u>Description</u>	<u>Quantity</u>
Clamp Bolt	2
Clamp Nut	2

SB-4 Service Parts

<u>Description</u>	<u>Piece No.</u>
Release Tool	800921
Dust Cap	800925

<u>Yoke Information</u>			
<u>Piece No.</u>	<u>Thread</u>	<u>Dimensions</u>	
		<u>'F'</u>	<u>'G'</u>
*228790	5/8-18	.50	.50
228798	5/8-18	.62	.50

* Included in Service Piece Number with Yoke assemblies.



Dimensions (inches)

Service Pc. No.	Service Pc. No. w/ Yoke*	Model/ Size	Piggyback Service Pc. No.	Piggyback Kit Pc. No.	Clamp Ring Pc. No.	Dia. phragm Pc. No.	'A'	'B'	'C'	'D'	Push Rod Pc. No.	Clamp 'E'	Stroke Pc. No.	Return Spring Pc. No.	Non Press. Hsg Pc. No.
5007129	800828	T-20/24	5007123	-	800908	234099	8.70	5.50	6.95	8.3	800902	45°	2.25	800919	800914
5007130	800829	T-24/24	5007124	-	800909	234100	8.75	5.60	7.50	8.0	800903	45°	2.50	800919	800915
5007131	800830	T-24/30	5007125	-	800909	234100	9.15	6.50	8.10	8.0	800903	45°	2.50	800919	800915
5007132	800831	T-30/30	5007126	5007610	800910	234101	9.15	6.50	8.25	8.0	800904	45°	2.50	800919	800916
-	800958	T-30/30	-	-	800910	234101	9.15	5.70	8.25	8.0	800904	45°	2.50	800919	800916
-	801130	T-30/30	5007126	5007610	800910	234101	9.15	5.70	8.25	5.8	800904	45°	2.50	800919	800916
-	801131	T-30/30	5007126	5007610	800910	234101	9.15	5.70	8.25	4.8	800904	45°	2.50	800919	800916
5007133	800832	T-30/36	5007127	-	800910	234101	10.25	6.50	9.00	7.8	800904	45°	2.50	800919	800916
5007134	800833	T-36/36	5007128	-	800911	234362	10.35	6.50	9.15	6.7	800905	0°	3.00	800920	800917