

# BRAKE CHAMBER

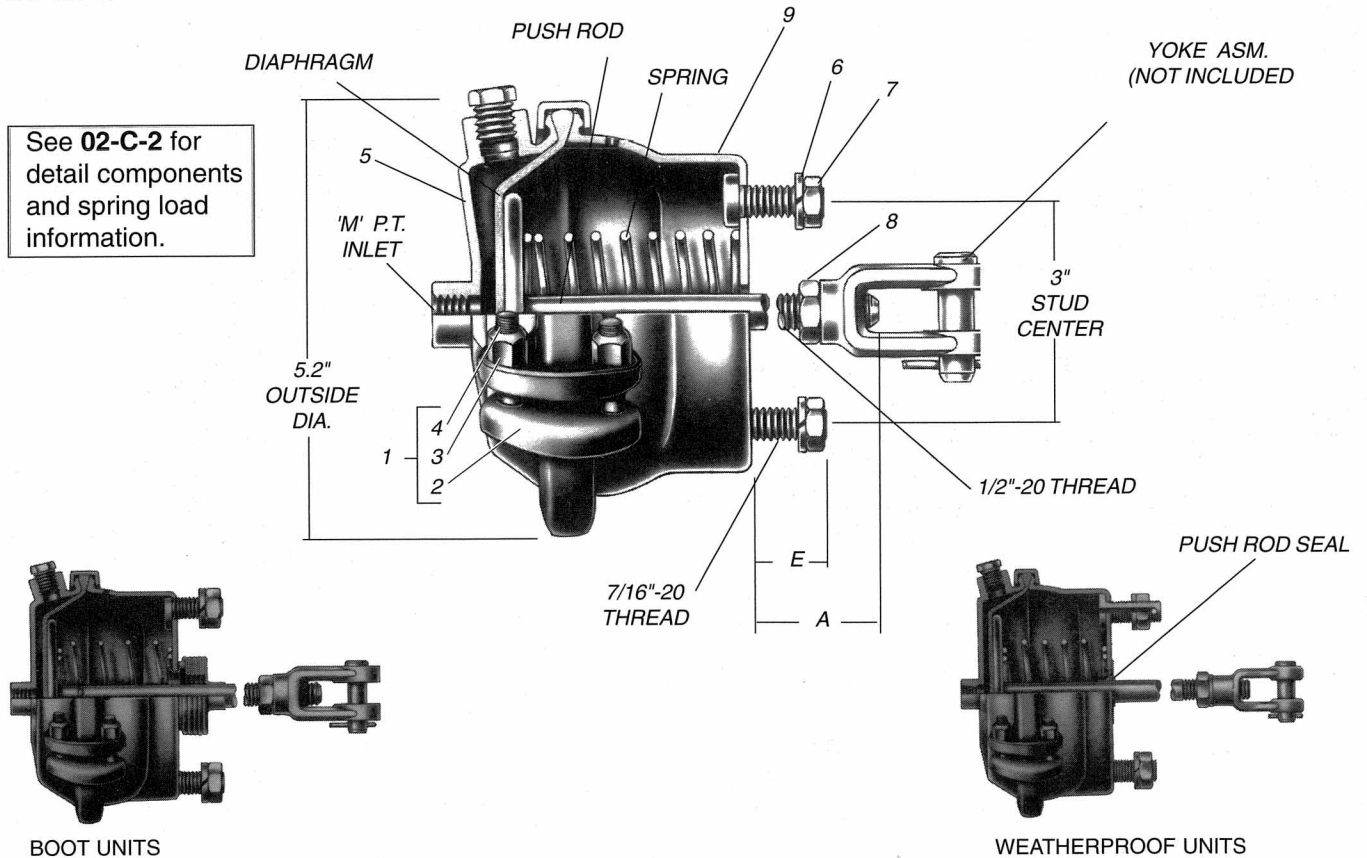
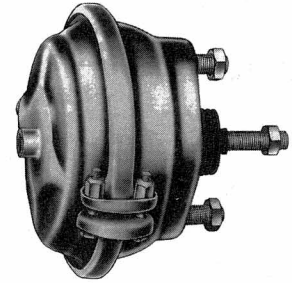
TYPE 9

CATALOG  
02-C-1

A Brake Chamber is an actuator which converts the energy of air pressure into a mechanical force. Brake chambers are available in nine sizes, providing a wide range of output forces and strokes.

The type of chamber indicates the diaphragm's effective area (Type 9 = 9 square inches of effective area).

For Installation and Maintenance Information, see SD-02-1.



## Standard & Boot

Piece No.	Spring	'A'	Boot	'E'	Diaphragm	Stroke	'M' NPT
279558	234435	2.94	231609	1.00	234433(R)	1.38	1/4"
288789	234435	12.00	-	1.50	234433(R)	1.75	3/8"
288790	238876	12.00	-	1.50	234433(R)	1.75	3/8"
288791	234435	12.00	239506	1.00	234433(R)	1.75	3/8"

## Weatherproof

Piece No.	Spring	'A'	Boot	'E'	Diaphragm	Stroke	'M' NPT
228909	234435	3.18	-	1.00	233663(N)	1.75	1/4"
288794	238876	12.00	-	1.50	234433(R)	1.75	3/8"

(N)-Neoprene (R)-Rubber

## Reference Details

No.	Piece No.	Quantity	Description
1		1	Clamp ring Assembly
2		1	Clamp ring
3		2	Nut
4		2	Bolt
5		1	Pressure plate
6		1	Seal washer
7	214526	2	Nut
8	201438	1	Yoke lock nut
9		1	Non-pressure plate

Brake chambers are not available remanufactured exchange.

**Yokes, springs, boots & diaphragms shown on catalog page 02-J-01.**

## Spring Load

Spring Pc. No.	Load at 0" stroke (lbs.)	Load increase per inch of stroke (lbs.)
234435	13.5	6.25
238876	22	9
239927	55	31.25
240645	0	180