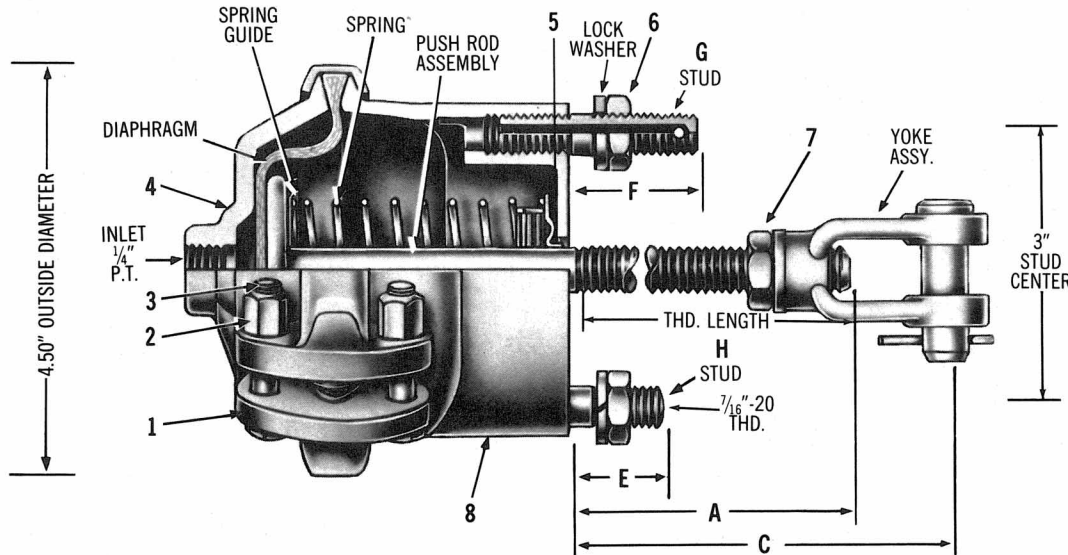
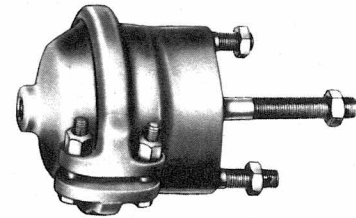


**SERVICE REPLACEMENT
BRAKE CHAMBERS
TYPE 6**

A Brake Chamber is an actuator which converts the energy of air pressure into a mechanical force. Brake Chambers are available in nine sizes, providing a wide range of output forces and strokes. The type of chamber indicates the diaphragm's effective area (Type 30 = 30 sq. in. effective area).

For further information regarding installation and maintenance, consult Instruction & Service Data Sheet SD-28.



- SERVICE CHAMBERS:**
- (1) Have long threaded Push Rod that may be cut to length.
 - (2) Do not include Yoke.

SPRING LOAD

SPRING PC. NO.	LOAD AT 0" STROKE (LBS.)	LOAD INCREASE PER INCH OF STROKE (LBS.)
234890	12	2.6
242770	7	75
243033*	55	45
243034*	59	65
243032*	73	73
243033*		
243034*		

*THESE SPRINGS USED IN THE COMBINATIONS SHOWN MAKE THE FORCES SHOWN.

TYPE 6 BRAKE CHAMBER PC. NO.	PUSH ROD ASSY. PC. NO.	DIAPHRAGM PC. NO.	SPRING GUIDE PC. NO.	SPRING PC. NO.	YOKE ASSY. PC. NO.	G STUD		LOCK WASHER PC. NO.	H STUD PC. NO.	A PUSH ROD END TO PLATE	PUSH ROD THD. LENGTH	C YOKE PIN TO PLATE	E STUD END TO PLATE	F STUD END TO PLATE	STROKE (INCHES)
						BREATHER PC. NO.	PLAIN PC. NO.								
225152	225149	234888-R	235033	234890	NONE	234423	—	NONE	203006	9.06	8.81	—	1.00	1.38	1.62
227589	227596	234888-R	235033	234890	NONE	234423	—	NONE	203006	3.25	2.38	—	1.00	1.38	1.62
228908	227596	239238-N	235033	234890	NONE	234423	—	NONE	203006	3.25	2.38	—	1.00	1.38	1.62
229770	229771	234888-R	235033	234890	205948	235524	—	202984	212866	4.25	2.00	5.25	1.38	1.75	1.62
275949	275950	234888-R	235033	234890	205948	—	203006	NONE	203006	1.94	1.69	2.88	1.00	1.00	1.62
275951	275952	239238-N	235033	234890	205948	234423	—	NONE	203006	5.00	2.38	6.12	1.00	1.38	1.62
277880	277882	234888-R	240644	243043	NONE	NONE	NONE	NONE	NONE	2 1/4	2 1/4	—	—	—	1 3/8
278638	229771	239238-N	235033	234890	NONE	235524	—	202984	212866	4.25	2.00	—	1.38	1.75	1.62
A 278645	229771	234888-R	235033	243034	205948	234423	—	202984	203006	4.25	2.00	5.38	1.00	1.38	1.62
AB 278791	275950	234888-R	235033	243034	205948	NONE	NONE	NONE	NONE	1.94	1.69	2.88	—	—	1.62
280456	280302	234888-R	235033	243043	205948	—	203006	NONE	203006	6.00	2.00	7.12	1.00	1.00	1.38 MAX.
C 281170	227596	234888-R	240644	245555	NONE	234423	—	NONE	203006	3 1/4	2 3/8	—	1 1/8	1 3/8	1.00
281640	281639	234888-R	240644	243043	NONE	NONE	NONE	NONE	NONE	2 5/8	2 5/8	—	—	—	1 3/8
282973	227596	234888-R	240644	243043	205948	—	203006	NONE	203006	3.25	2.38	4.25	1.00	1.00	1.38 MAX.
BD 284751	277723	239238-N	235033	242770	NONE	—	203006	NONE	203006	2.50	2.00	—	1.00	1.00	1.62
284856	227596	239238-N	235033	234890	NONE	235524	—	202984	212866	3.25	2.38	—	1.38	1.75	1.62
E 285818	277723	239238-N	235033	243034	205948	234423	—	202984	203006	2.50	2.00	3.62	1.00	1.38	1.62
AE 286497	277723	239238-N	235033	243034	205948	234423	—	202984	203006	2.50	2.00	3.62	1.00	1.38	1.62

- A-ADD INNER SPRING, 243033.
- B-OMIT ITEM 6.
- C-ADD INNER SPRING, 245554 AND SPACER, 245556. SUBSTITUTE SEAL WASHER, 245557 FOR ITEM 5.
- D-OMIT ITEM 7.
- E-ADD MIDDLE SPRING, 243032.

N-NEOPRENE
R-RUBBER

REFERENCE DETAILS

No.	Pc. No.	Quan.	Description
1	225151	1	Clamp Ring
2	234147	2	Nut
3	234146	2	Bolt
4	235501	1	Pressure Plate
5	235644	1	Seal Washer
6	214526	2	Nut
7	201438	1	Yoke Lock Nut
8	234887	1	Non-Pressure Plate

**BRAKE CHAMBERS NOT AVAILABLE
IN REMANUFACTURED EXCHANGE.**

**YOKES, SPRINGS, BOOTS & DIAPHRAGMS
SHOWN ON CATALOG 02-J-1**