

Safety valves protect the air brake system against excessive pressure and should be installed in the first or supply reservoir. Should reservoir pressure exceed the pressure setting, the safety valve opens, allowing excess pressure to exhaust to atmosphere. The safety valve will automatically close when pressure is reduced. The ST-1 safety valve is adjustable. The ST-3 is not.

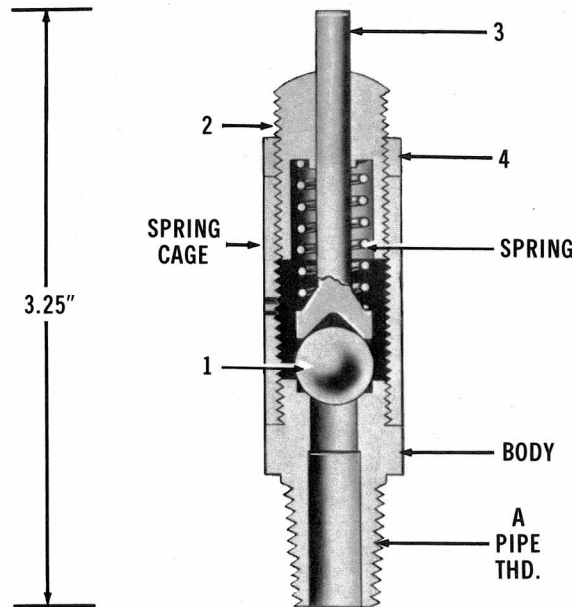
FOR SERVICE/MAINTENANCE INFORMATION, SEE SERVICE DATA SHEET SD-03-68.

WEIGHT - ST-1 - .2 lbs.
ST-3 - .2 lbs.
VMRS. NO. 13.010-073.

DEVICE CODE IS 1900 FOR ST-1, 1902 FOR ST-3.

SAFETY VALVES NOT AVAILABLE IN REFR. EXCH.

TYPE ST-1



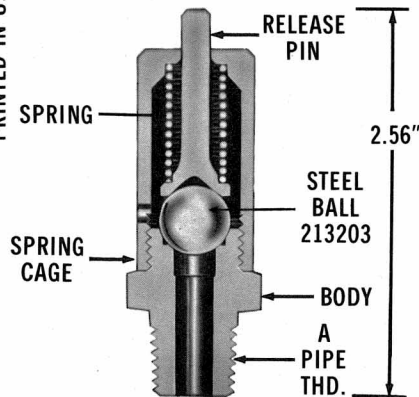
SUB ASSY. AND DETAIL REFERENCE

ST-1 SAFETY VALVE PC. NO.	FOR SERVICE USE PC. NO.	CUSTOMER IDENTIFICATION	BODY PC. NO.	SPRING-CAGE PC. NO.	SPRING PC. NO.	PRESS. SETTING (PSI) STAMPED ON BODY	A P.T.
205105	205105	NONE	201609	201610	201614	150	1/4
215057	215057	NONE	201609	201610	201614	200	1/4
217593	217593	NONE	201609	201610	201614	85-90	1/4
221154	221154	NONE	201609	201610	201614	175	1/4
223444	223444	NONE	232947	201610	201614	150	3/8
225674	225674	NONE	201609	201610	201614	45-48	1/4
275846	275846	NONE	201609	201610	201614	135	1/4
283745	283745	FORD-DOTA-2A550-B	232947	201610	201614	150	3/8
283926	283926	NONE	201609	201610	201614	145	1/4
285528	285528	TEREX-2255197	232947	201610	201614	150	3/8
286247	286247	NONE	232947	201610	239593	20	3/8

COMMON SERVICE PARTS			
NO.	PC. NO.	QUAN.	DESCRIPTION
1	213203	1	Steel Ball
2	201611	1	Adjustable Nut
3	240517	1	Release Pin
4	201612	1	Lock Nut

TYPE ST-3

PRINTED IN U.S.A.



SUB ASSY. AND DETAIL REFERENCE

ST-3 SAFETY VALVE PC. NO.	FOR SERVICE USE PC. NO.	CUSTOMER IDENTIFICATION	BODY PC. NO.	SPRING CAGE PC. NO.	SPRING PC. NO.	RELEASE PIN PC. NO.	PRESS. SETTING (PSI) STAMPED ON BODY	A P.T.
284142	284142	NONE	201609	248416	248413	248415	150	1/4
284143	284143	NONE	232497	248416	248413	248415	150	3/8
A 285835	285835	NONE	201609	248416	248413	248415	150	1/4
285849	285849	NONE	201609	248416	249957	248415	175	1/4
285850	285850	NONE	201609	248416	249958	248415	75	1/4
288051	288051	WHITE-72802-0002	201609	248416	248413	248415	150	1/4
A 289487	289487	FORD-D7HT-2A550-	232947	248416	248413	248415	150	3/8

A - TEFLON TAPE ON PIPE THD.