

INLET REGULATING VALVE

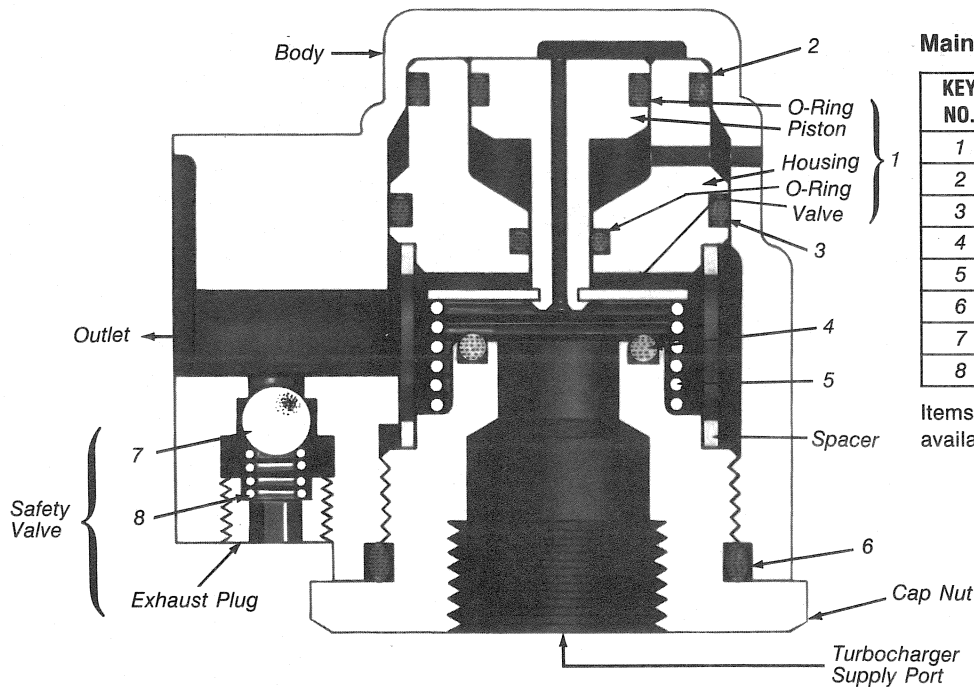
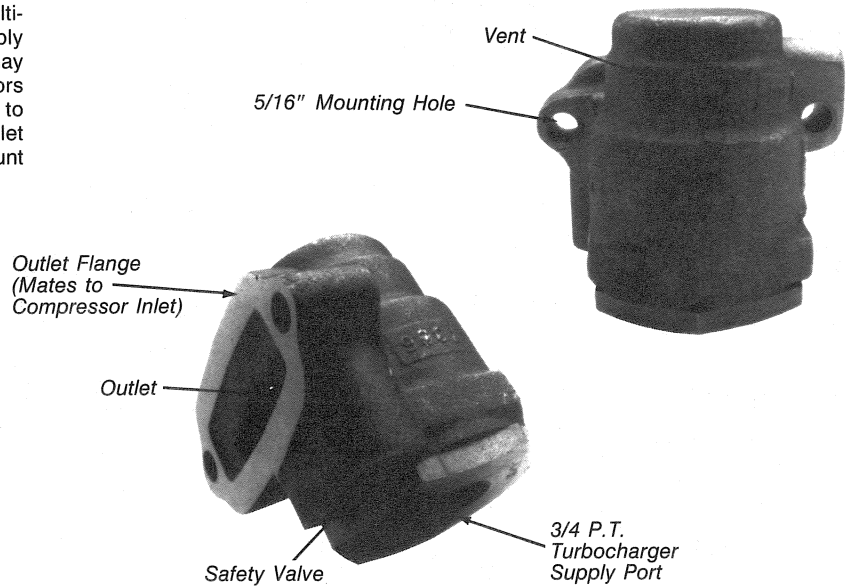
PIECE NO. 104171

CATALOG
01-A-2

The inlet regulating valve or IRV is intended for use on multi-cylinder compressors which receive their induction air supply from the pressure side of the engine turbocharger. The IRV may **not** be used in conjunction with single cylinder compressors including the BX-2150. The IRV which is generally mounted to the compressor inlet is designed to regulate compressor inlet pressure to 10 PSI or less. The outlet flange of the IRV will mount to all Bendix Tu-Flo compressors except the Tu-Flo 300.

For service/maintenance information see
Service Data Sheet SD-01-3408

Weight - 1.6 Lbs.
VMRS No. 13-009-007
Device Code - 3408



Maintenance Kit 106469 Consists of:

| KEY NO. | QTY. | DESCRIPTION |
|---------|------|-------------------------|
| 1 | 1 | Valve & Piston Assembly |
| 2 | 1 | O-Ring |
| 3 | 1 | O-Ring |
| 4 | 1 | Valve Seat O-Ring |
| 5 | 1 | Spring |
| 6 | 1 | O-Ring |
| 7 | 1 | Steel Ball |
| 8 | 1 | Spring |

Items not contained in this maintenance kit are not available for service.

| |
|-----------------------------------|
| INLET REGULATING VALVE PC. NO. |
| 104171 |